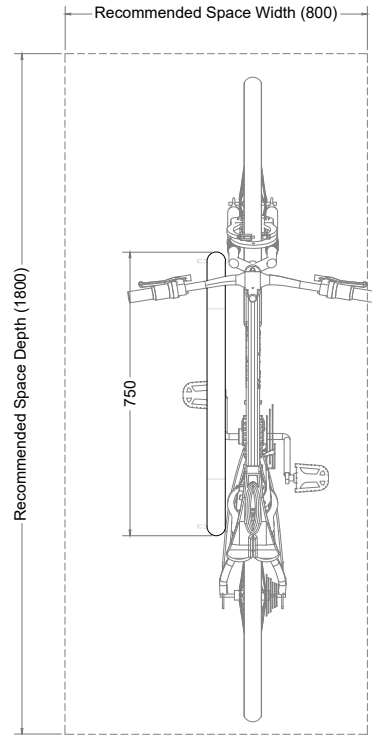


Citihoop Plus Root Fixed

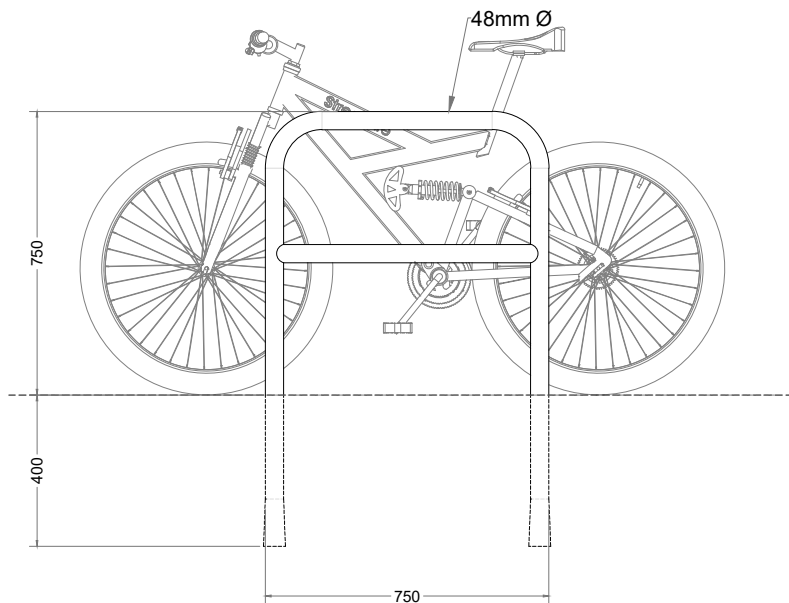
Top View



Perspective View



Front View



Technical information

- Materials:** Mild Steel
- Standard Finish:** Galvanised to BS EN ISO 1461:2009
- Optional Finishes:** Powder-coating in any standard RAL colour, Stainless Steel Grade 304 or 316
- Bike Capacity:** 2No. Bikes
- Fixing:** Root Fixed 400mm below ground surface
- Optional Extras:** Location identifiers, signage
- BREEAM:** Our products will assist with achieving BREEAM rating
- Product Warranty:** Two years
- Benefits:** Citihoop Plus features the addition of a mid-rail to the typical hoop profile. Simple, durable and cost-effective, the hoop provides a locking point for two bicycles - one on each side.



Manufactured in the UK

PRODUCT NAME:

Citihoop Plus Root Fixed

SCALE: 1:20	SHEET SIZE: A3	DRAWN BY: AA
CHECKED BY: KD	DATE: 12/07/2022	
PRODUCT NO. :		SCS2GPL

- All dimensions are in mm unless otherwise stated
- Any dimensions scaled from this drawing are taken at the reader's own risk



01730 719 292
info@bellsure.co.uk
bellsure.co.uk