

Sheet Notes

- All dimensions are in mm unless otherwise stated
- Any dimensions scaled from this drawing are taken at readers own risk

Product Spec

Size: 2488H x 4580W x 3950D
 (This shelter can be created to suit your bespoke cycle parking requirements)

Frame: 100 x 100mm Uprights with 50 x 50mm roof beam box square section

Material: Steel

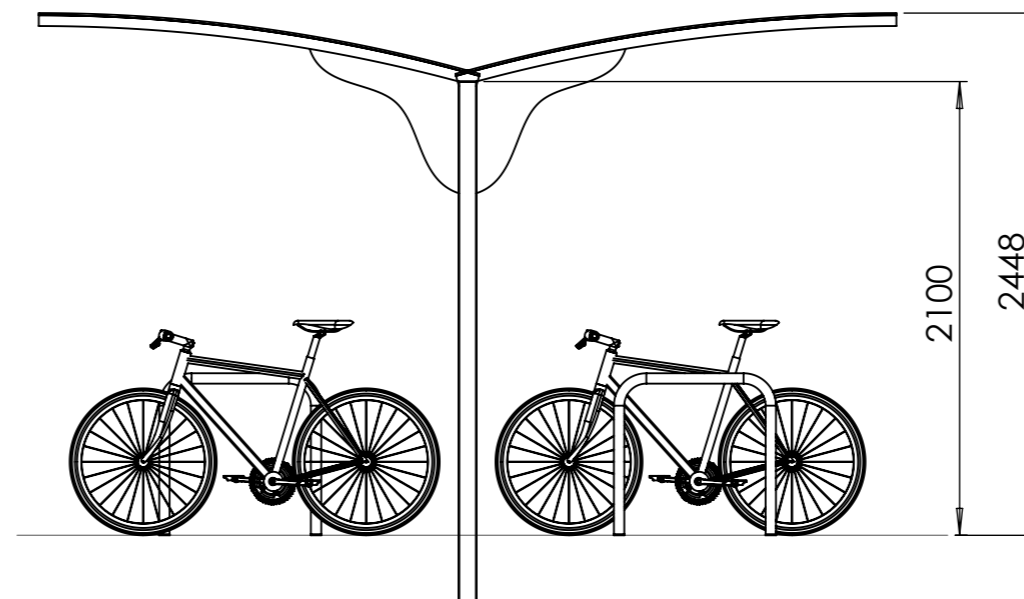
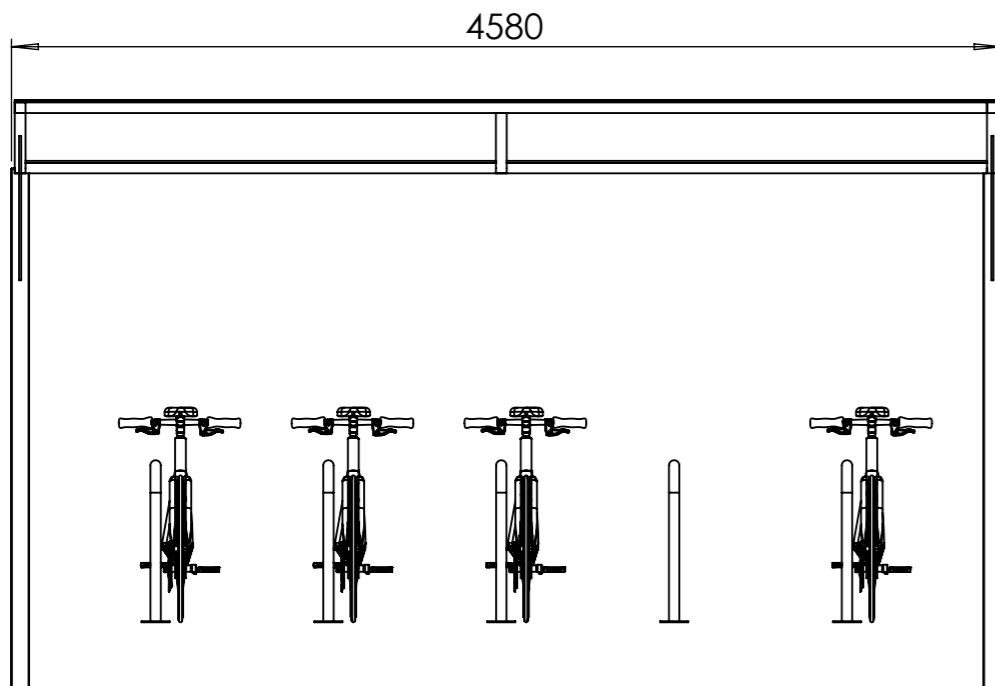
Finish Options: Galvanised steel or galvanised & powdercoated

Fixing Options: Surface mounted or root fixed

Bike Capacity: 20

Roof: 3mm PETG UV2 clearview roof

*Picture shown of cycle shelter shows it root fixed into the ground



T: 01730 719292 | www.bellsure.co.uk | E: streetsure@bellsure.co.uk

PRODUCT NAME:

CuvaCanti - Double Sided