

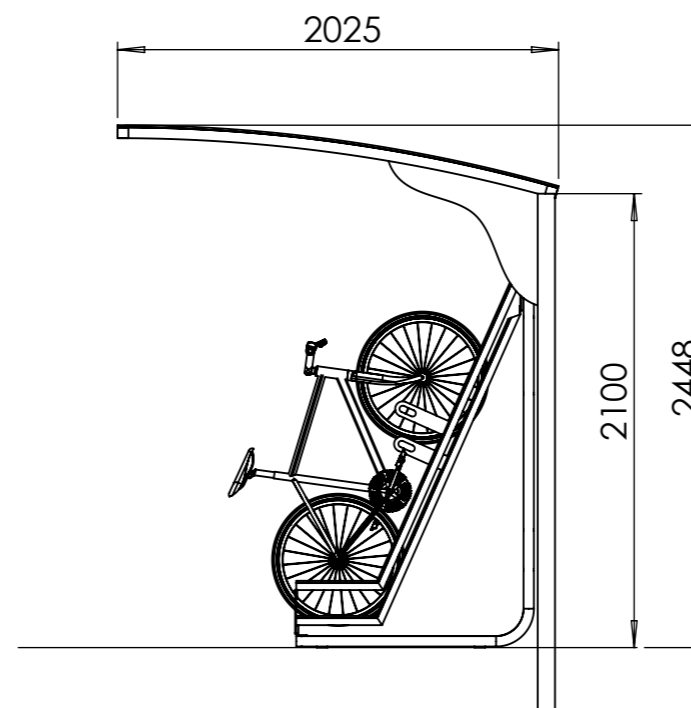
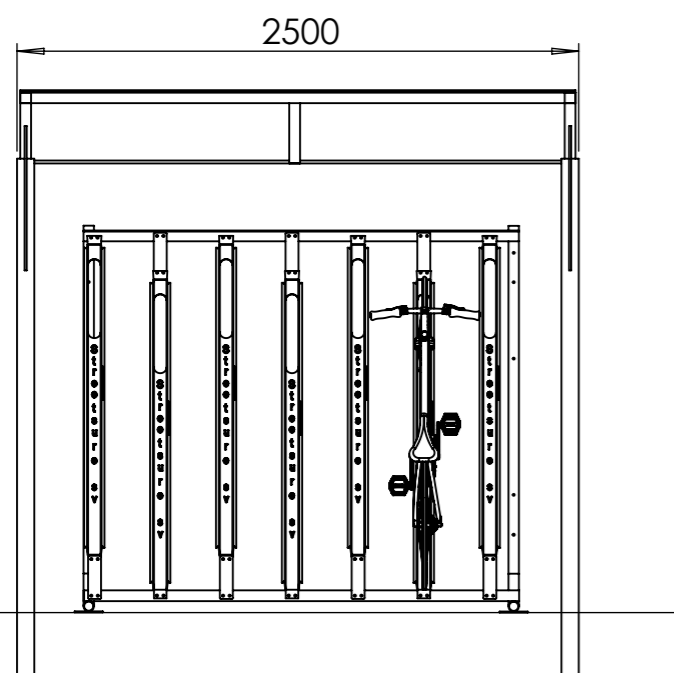
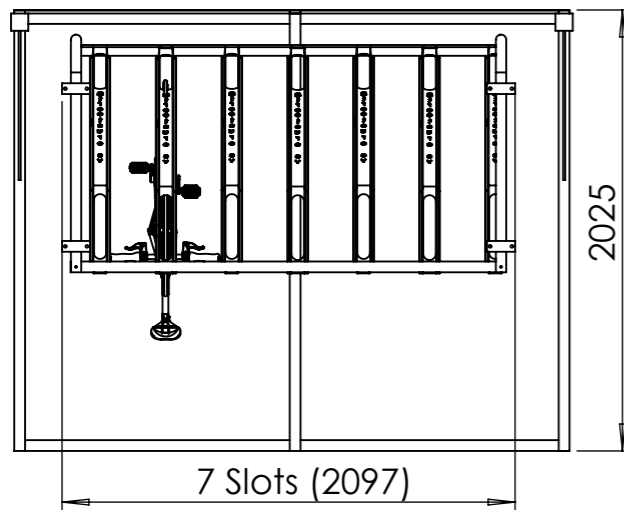
Sheet Notes

- All dimensions are in mm unless otherwise stated
- Any dimensions scaled from this drawing are taken at readers own risk

Product Spec

- Galvanised Steel or Galvinsed & Powdercoated finish
 - 100 x 100mm Uprights
 - 50 x 50mm Roof Beam Box Square Section
- Frame
- 3mm PETG UV2 Clearview Roof
 - Surface Mounted or Root Fixed
 - This shelter can be created to suit your bespoke cycle parking requirements.

* Picture shown of the cycle shelter shows it root fixed into the ground



T: 01730 719292 | www.bellsure.co.uk | E: streetsure@bellsure.co.uk

PRODUCT NAME:
CuvaCanti