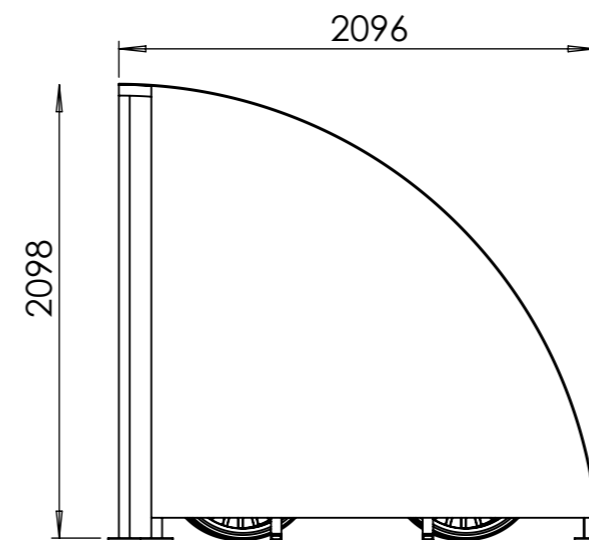
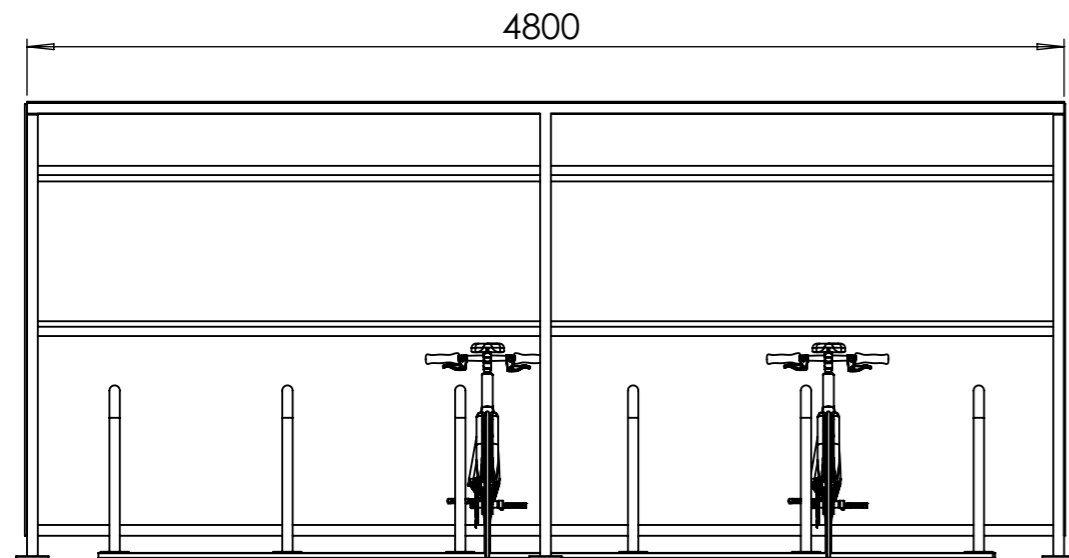
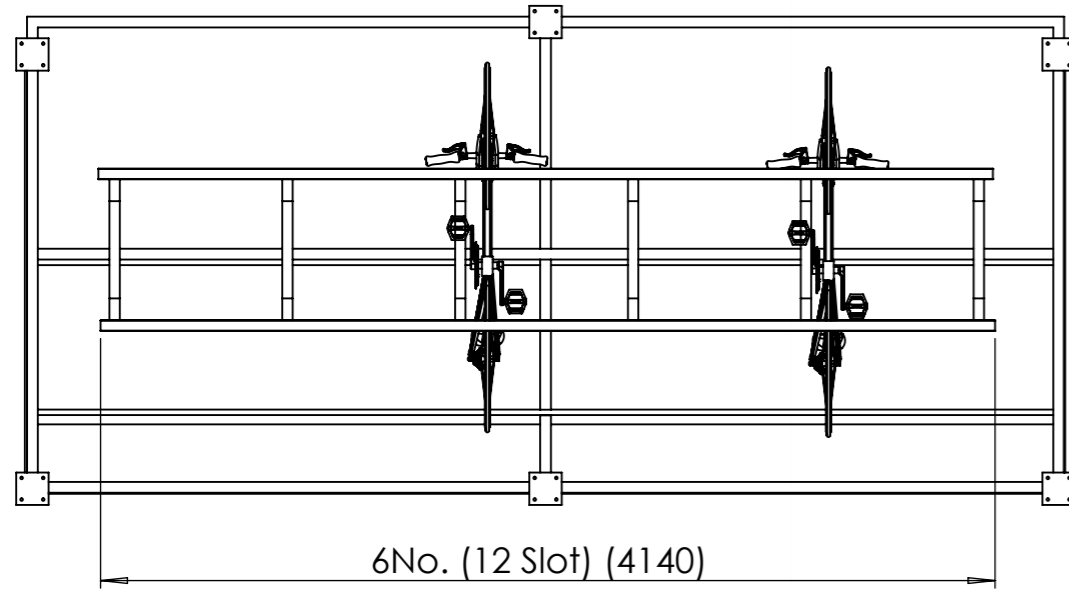


Sheet Notes

- All dimensions are in mm unless otherwise stated
- Any dimensions scaled from this drawing are taken at readers own risk

Product Spec

Size: 2098H x 4800L x 2096D
Material: Galvanised Steel 50x50 Box Section Frame
Roof: 3mm PETG UV2 Clearview panels
Fixing Options: Surface Mounted
Capacity: 12



T: 01730 719292 | www.bellsure.co.uk | E: streetsure@bellsure.co.uk

PRODUCT NAME:

Cuva Curve - Cycle Shelter