

EMERGENCY PUSH PAD LATCH

PR4301.0115

- Emergency push latch for timber doors
- Silver Enamel finish
- Simple to fit, easy to use
- Reversible latch



Image: Rizon Jet project

CONTACT DETAILS

Phone : (+44) 1483 568287

Fax: (+44) 1483 540830

Email : web.enquiries@bellsure.co.uk

EMERGENCY PUSH PAD LATCH

PR4301.0115

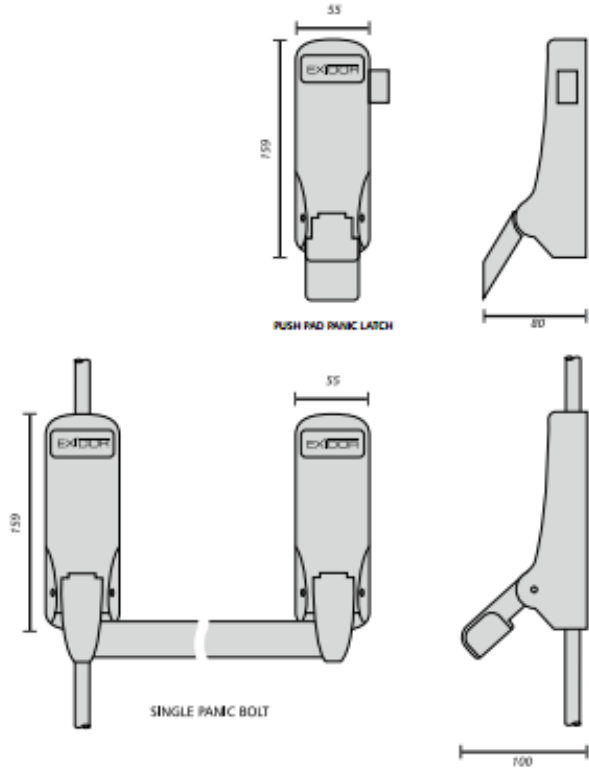


Image: Rizon Jet project

CONTACT DETAILS

Phone : (+44) 1483 568287

Fax: (+44) 1483 540830

Email : web.enquiries@bellsure.co.uk