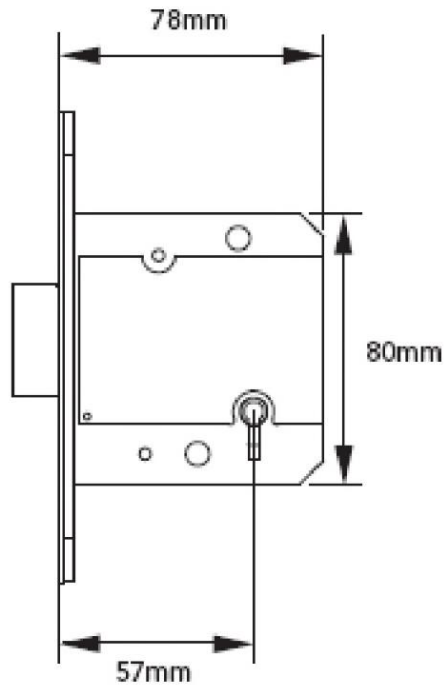


5 LEVER DEADLOCK

NW3302.1207

- Certifire approved 5 lever dead lock
- SSS finish
- 76mm
- CE Rated



3"



CONTACT DETAILS

Phone : (+44) 1483 568287

Fax: (+44) 1483 540830

Email : web.enquiries@bellsure.co.uk