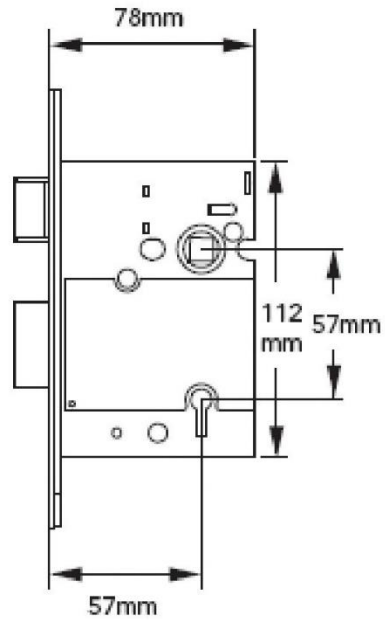


# 5 LEVER SASH LOCK

NW3301.1207

- Certifire approved 5 lever sash lock
- SSS finish
- 76mm
- CE Rated



3"



## CONTACT DETAILS

Phone : (+44) 1483 568287

Fax: (+44) 1483 540830

Email : [web.enquiries@bellsure.co.uk](mailto:web.enquiries@bellsure.co.uk)