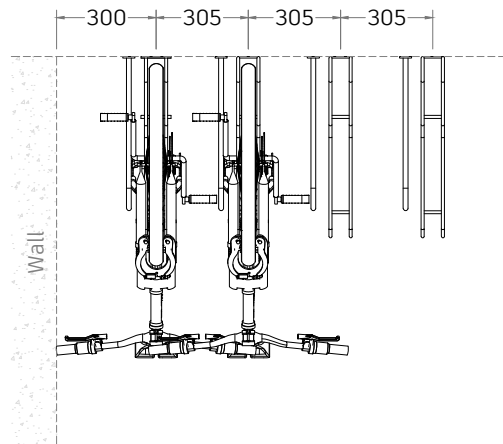


Verti Apex Wall Mounted with LockLoop

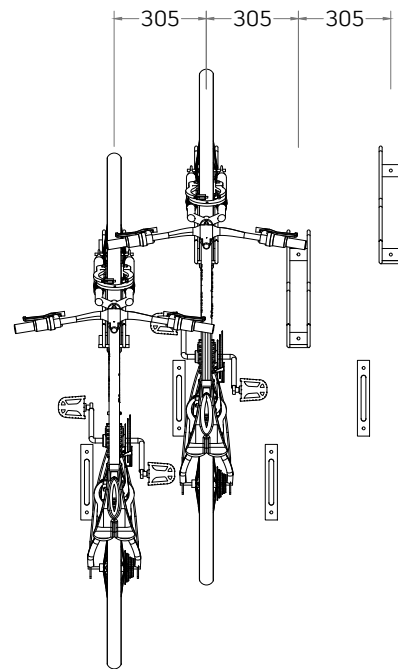
Top View



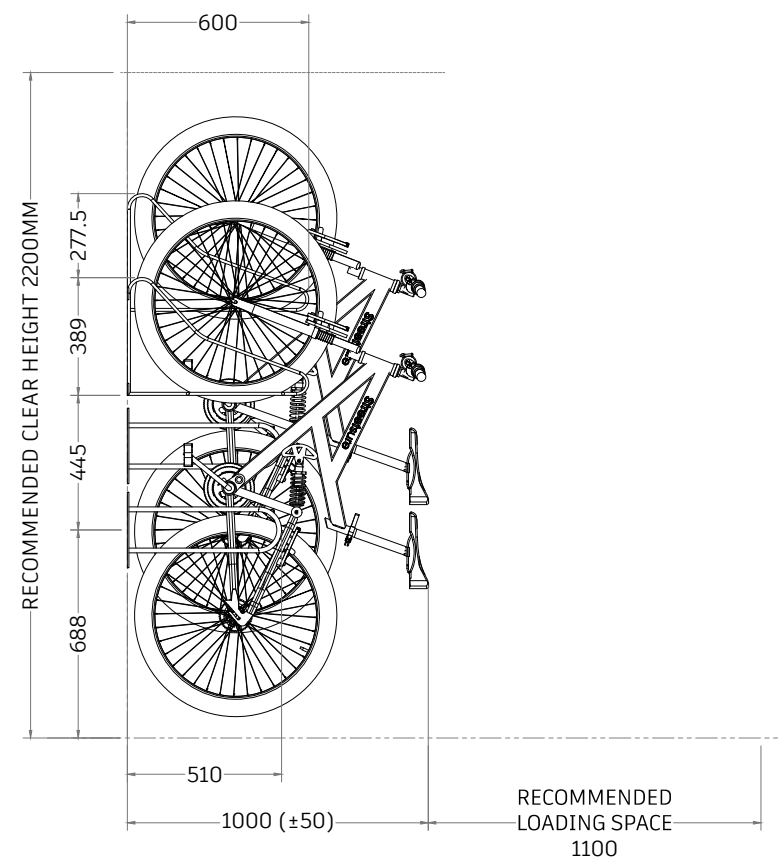
Perspective View



Front View



Side View



Technical information

Materials:	Mild Steel
Standard Finish:	Galvanised to BS EN ISO 1461:2009
Optional Finish:	Powder-coating available in a wide range of RAL colours
Configuration:	Single Sided
Bike Capacity:	Bespoke to customer specification
No. of Locking Points:	2 per space - front wheel and LockLoop
Fixing Options:	Wall Mounted
Optional Extras:	510mm or 810 mm Locking loop (16mmØ wire form with 250 x 40 x 5mm thick mounting plate), location identifiers, anti-tamper fixings, signage
BREEAM:	Our products will assist with achieving BREEAM rating
Product Warranty:	Two years
Minimum Height:	2100mm
Recommended Height:	2200mm
Benefits:	With a reduced minimum height requirement and recommended pull-out space, these cycle stands are perfect for increasing cycle storage capacity in confined space. Simple and easy to use, whilst still remaining a premium product.



Manufactured in the UK

PRODUCT NAME:

Verti Apex Wall Mounted with LockLoop

SCALE: NTS	SHEET SIZE: A3	DRAWN BY: AA
---------------	-------------------	-----------------

CHECKED BY:	KD	DATE:	17/08/2022
-------------	----	-------	------------

DRAWING NO. : SS-VALL-WM

- All dimensions are in mm unless otherwise stated
- Any dimensions scaled from this drawing are taken at the reader's own risk



01730 719 292
info@bellsure.co.uk
bellsure.co.uk