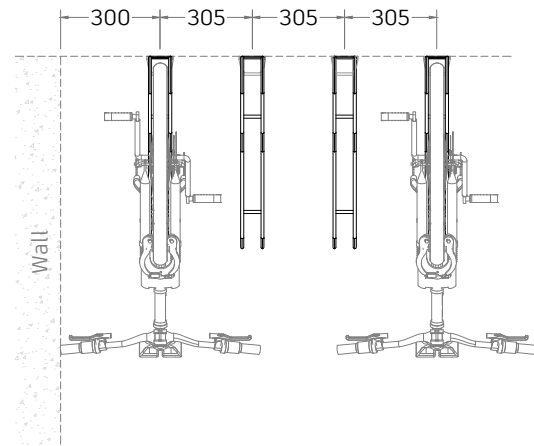


# Verti Apex Wall Mounted with SBD Anchor

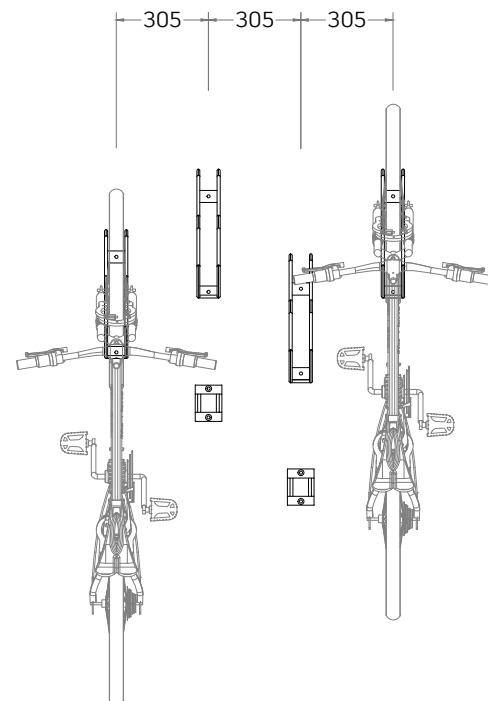
Top View



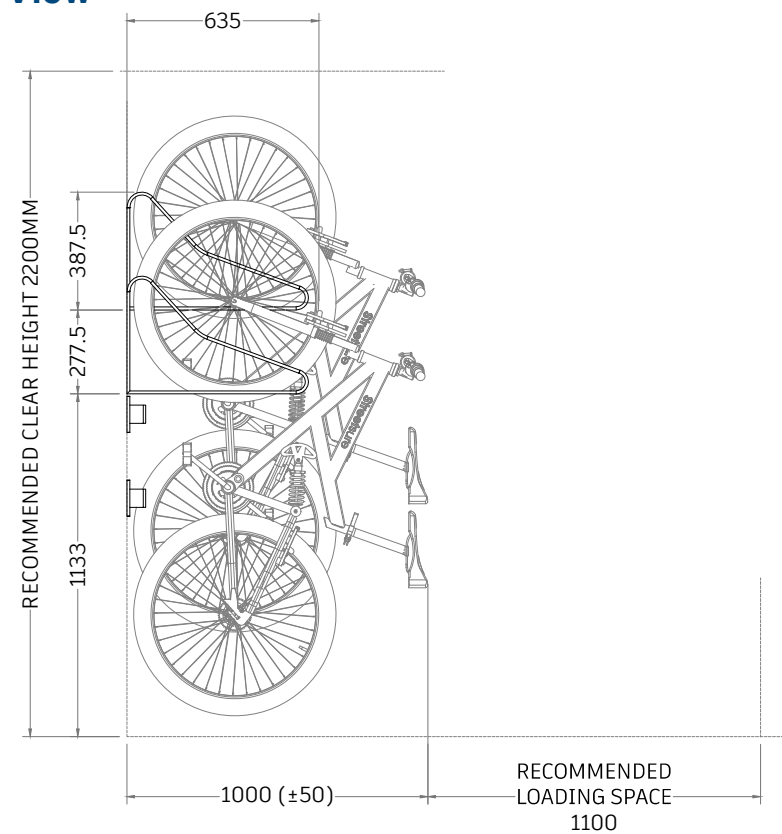
Perspective View



Front View



Side View



## Technical information

<b>Materials:</b>	Mild Steel
<b>Secure by Design Anchor:</b>	5mm Hardened Steel Powder Coated Blue
<b>Standard Finish:</b>	Galvanised to BS EN ISO 1461:2009
<b>Optional Finishes:</b>	Galvanised and Powder coated to standard RAL colour
<b>Configuration:</b>	Single Sided
<b>Bike Capacity:</b>	Bespoke to customer specification
<b>No. of Locking points:</b>	2No. per space - front wheel and bike frame
<b>Fixing:</b>	Wall Mounted
<b>Optional Extras:</b>	Location identifiers, signage
<b>BREEAM:</b>	Our products will assist with achieving BREEAM rating
<b>Product Warranty:</b>	Two years
<b>Minimum Height:</b>	2100mm
<b>Recommended Height:</b>	2200mm
<b>Benefits:</b>	Verti Apex Wall-mounted enables cycle parking to flank the walls in areas with relatively narrow walkways. The addition of the secure by design anchor provides a second fixing point.



Manufactured in the UK

PRODUCT NAME:

## Verti Apex Wall Mounted with SBD Anchor

SCALE: NTS	SHEET SIZE: A3	DRAWN BY: AA
CHECKED BY: KD	DATE: 05/08/2022	
PRODUCT NO. :		APX2G-SBD

- All dimensions are in mm unless otherwise stated
- Any dimensions scaled from this drawing are taken at the reader's own risk