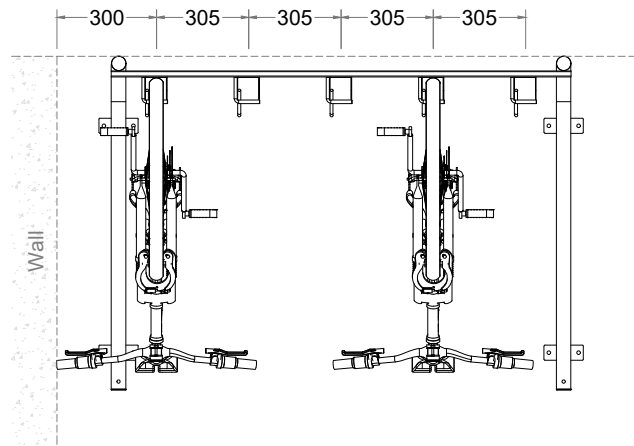


Verti Hanglok Free Standing

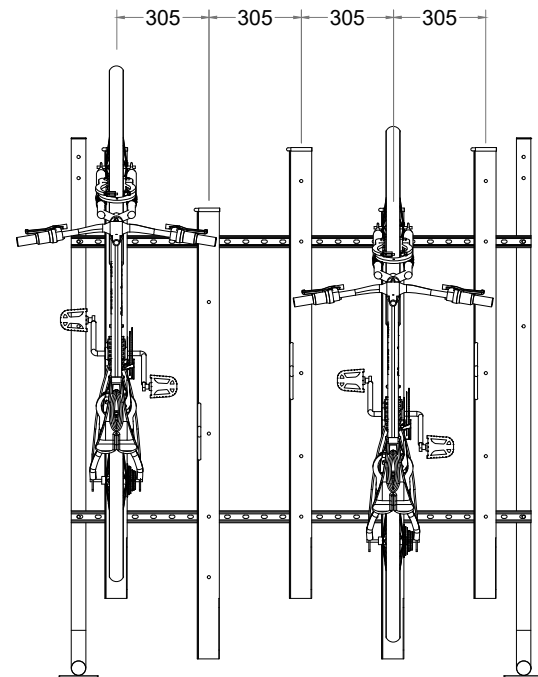
Top View



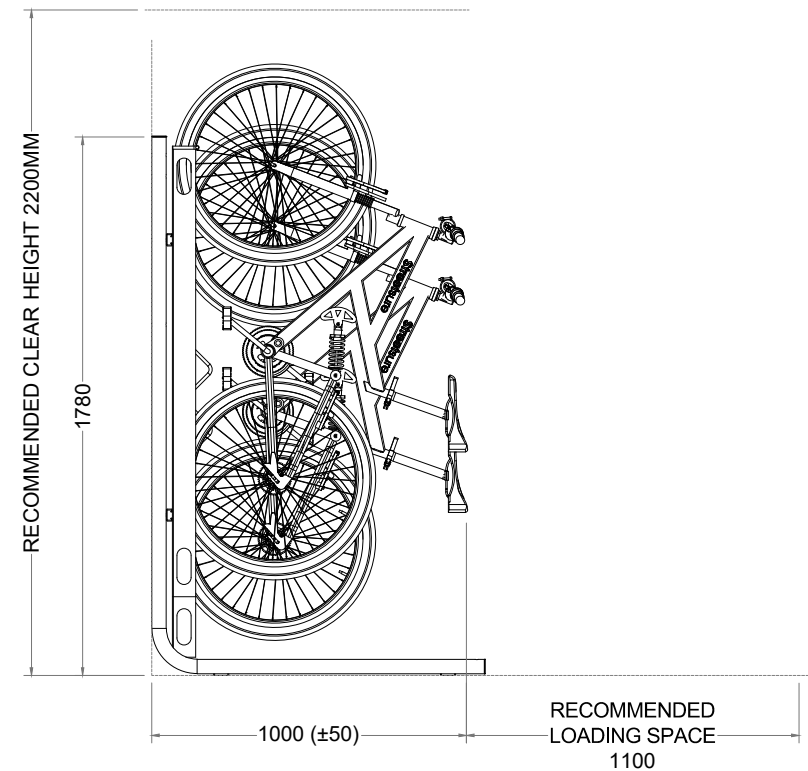
Perspective View



Front View



Side View



Technical information

Materials:	Mild Steel
Standard Finish:	Galvanised to BS EN ISO 1461:2009
Optional Finishes:	Galvanised and Powder coated to standard RAL colour
Configuration:	Single Sided
Bike Capacity:	Bespoke to customer specification
No. of Locking points:	3 per space - front wheel, rear wheel and locking loop
Fixing Options:	Surface Mounted
Optional Extras:	Location identifiers, anti-tamper fixings, signage
BREEAM:	Our products will assist with achieving BREEAM rating
Product Warranty:	Two years
Minimum Height:	2100mm
Recommended Height:	2200mm
Benefits:	This British manufactured cycle stand allows multiple bicycles to be vertically positioned off of the ground, reducing the space required per bicycle.



Manufactured in the UK

PRODUCT NAME:

Verti Hanglok Free Standing

SCALE: NTS	SHEET SIZE: A3	DRAWN BY: AA
CHECKED BY: KD	DATE: 05/08/2022	
PRODUCT NO. : SSSL-G-XX (XX No. of Bike Spaces)		

- All dimensions are in mm unless otherwise stated
- Any dimensions scaled from this drawing are taken at the reader's own risk