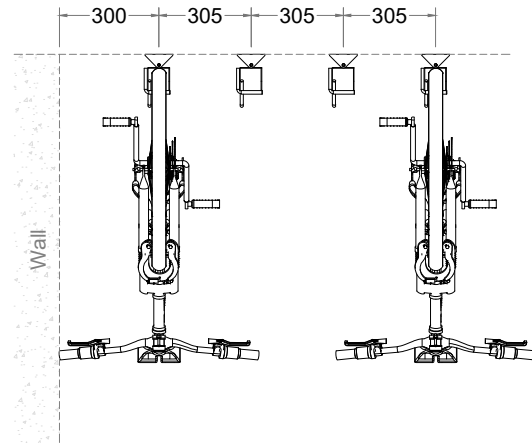


Verti Hanglok Pivot

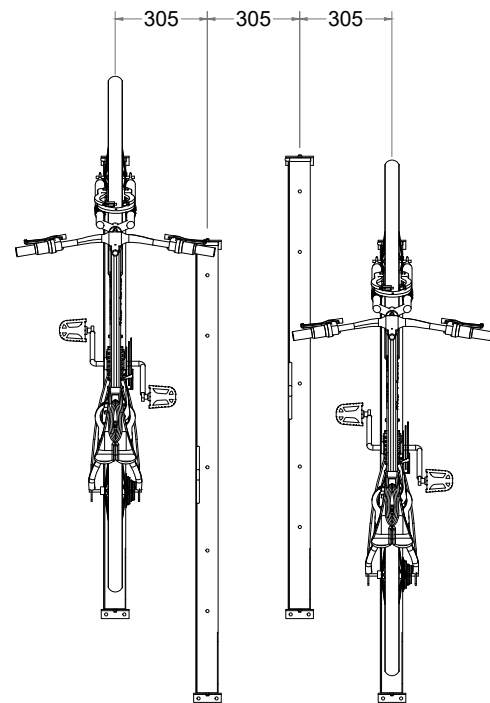
Top View



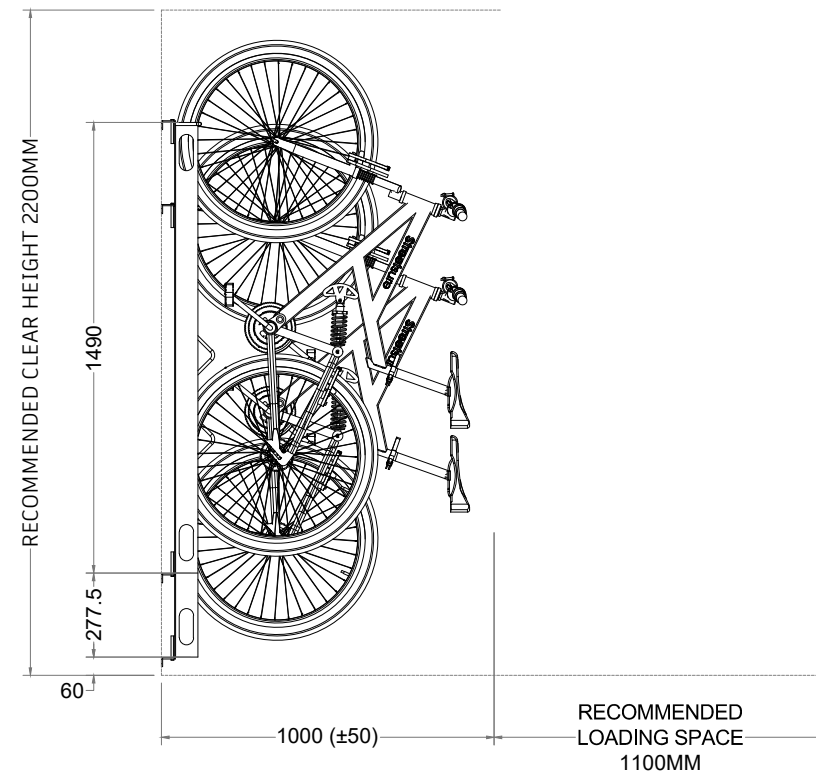
Perspective View



Front View



Side View



Technical information

Materials:	Mild Steel
Standard Finish:	Galvanised to BS EN ISO 1461:2009
Optional Finishes:	Galvanised and Powder coated to standard RAL colour
Configuration:	Single Sided
Bike Capacity:	Bespoke to customer specification
No. of Locking points:	3 per space - front wheel, rear wheel and locking loop
Fixing Options:	Wall Mounted
Optional Extras:	Location identifiers, anti-tamper fixings, signage
BREEAM:	Our products will assist with achieving BREEAM rating
Product Warranty:	Two years
Minimum Height:	2000mm
Recommended Height:	2100mm
Benefits:	This British made cycle stand mounts the bicycle vertically off the floor, reducing the space required for storage.



Manufactured in the UK

PRODUCT NAME:

Verti Hanglok Pivot

SCALE: NTS	SHEET SIZE: A3	DRAWN BY: AA
---------------	-------------------	-----------------

CHECKED BY:	KD	DATE:	05/08/2021
-------------	----	-------	------------

PRODUCT NO. :	SSHL-PVG
---------------	----------

- All dimensions are in mm unless otherwise stated
- Any dimensions scaled from this drawing are taken at the reader's own risk



01730 719 292
info@bellsure.co.uk
bellsure.co.uk