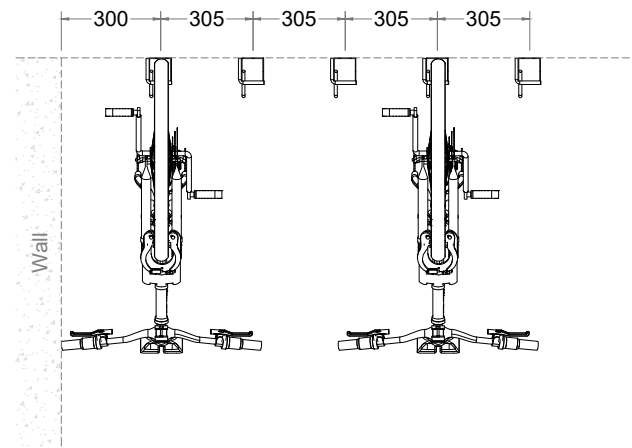


Verti Hanglok Wall Mounted

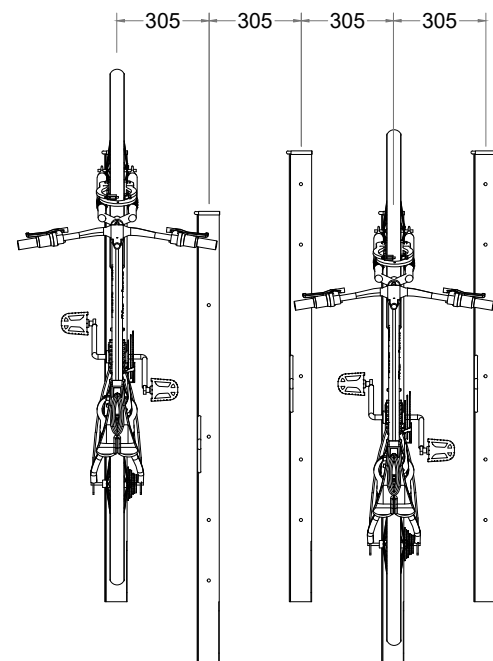
Top View



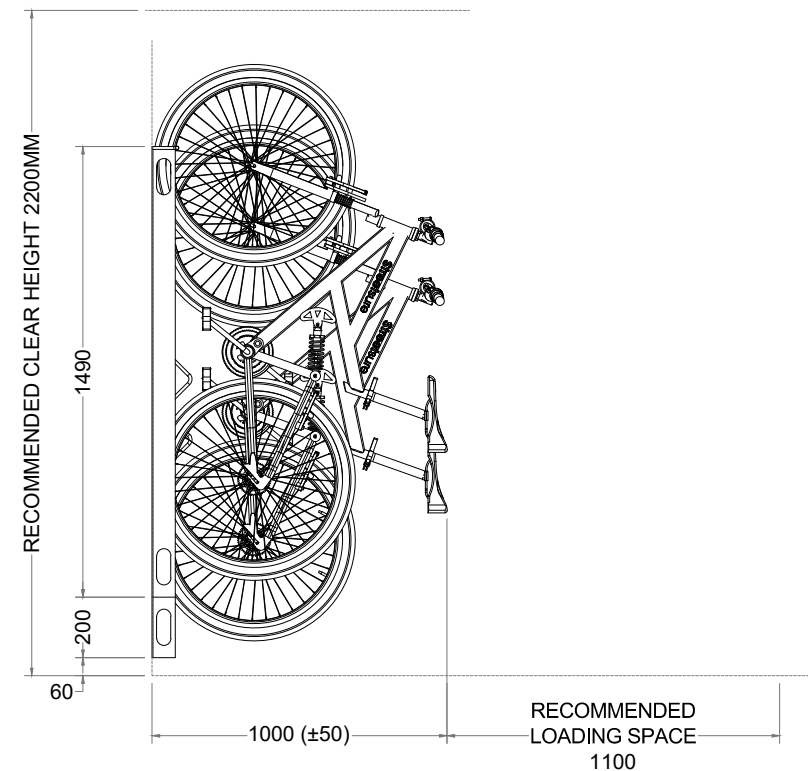
Perspective View



Front View



Side View



Technical information

Materials:	Mild Steel
Standard Finish:	Galvanised to BS EN ISO 1461:2009
Optional Finishes:	Galvanised and Powder coated to standard RAL colour
Configuration:	Single Sided
Bike Capacity:	Bespoke to customer specification
No. of Locking points:	3 per space - front wheel, rear wheel and locking loop
Fixing Options:	Wall Mounted
Optional Extras:	Location identifiers, anti-tamper fixings, signage
BREEAM:	Our products will assist with achieving BREEAM rating
Product Warranty:	Two years
Minimum Height:	2100mm
Recommended Height:	2200mm
Benefits:	This British made cycle stand is assembled straight to the wall, it is sturdy and durable and decreases the amount of space needed per cycle by storing vertically.



Manufactured in the UK

PRODUCT NAME:

Verti Hanglok Wall Mounted

SCALE: NTS	SHEET SIZE: A3	DRAWN BY: AA
CHECKED BY: KD	DATE: 05/08/2022	
PRODUCT NO. :		SSHL-WMG

- All dimensions are in mm unless otherwise stated
- Any dimensions scaled from this drawing are taken at the reader's own risk



01730 719 292
info@bellsure.co.uk
bellsure.co.uk