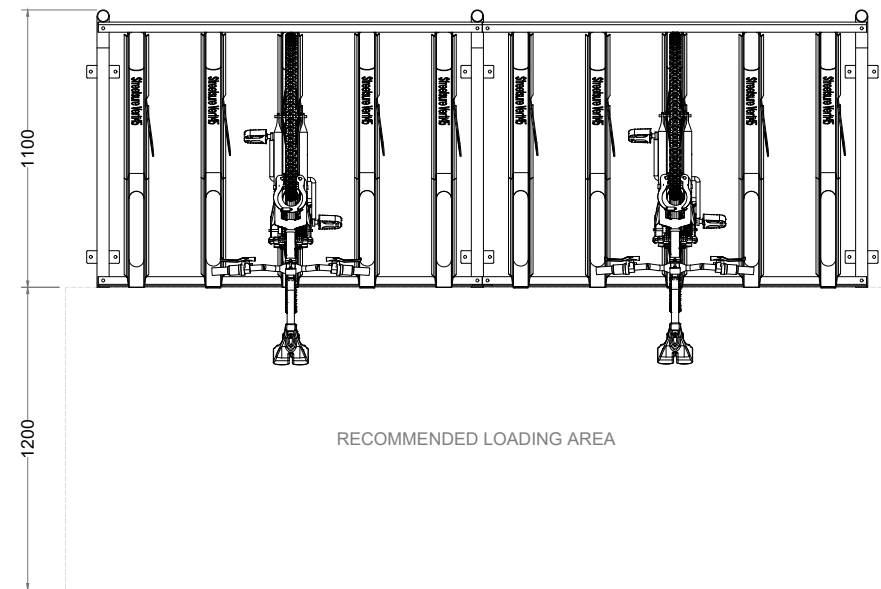


Verti45

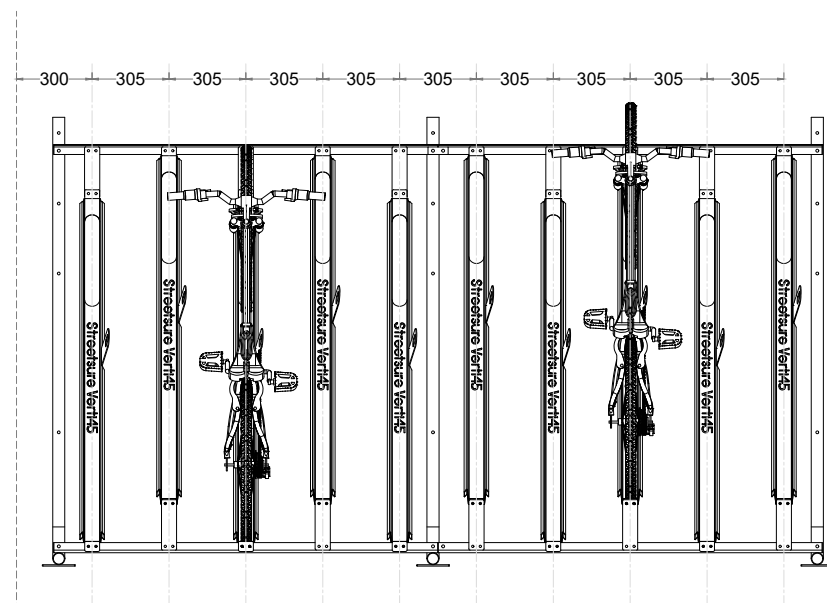
Top View



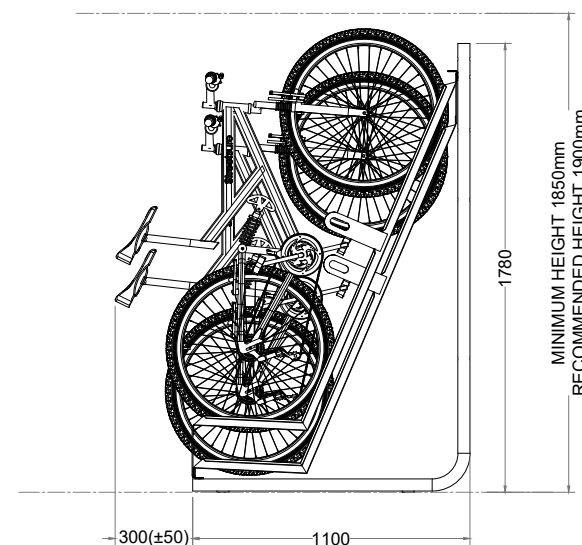
Perspective View



Front View



Right Side View



Technical information

Materials:	Mild Steel
Standard Finish:	Galvanised to BS EN ISO 1461:2009
Optional Finishes:	Powder coated Legs Plascoated Frames (to Standard RAL Colours)
Configuration:	Single Sided
Bike Capacity:	Bespoke to customer specification
Locking System:	3No. Locking points Front Wheel, Rear Wheel & Mid Locking Loop
Fixing Options:	Surface Mounted
Optional Extras:	Location identifiers, signage, laser cut wording within bike channel
BREEAM:	Our products will assist with achieving BREEAM rating
Product Warranty:	Two years
Benefits:	A durable single tier semi vertical rack with no moving parts and minimal maintenance. This product can incorporate bespoke laser cut channels to enhance the design element of your cycle parking project.
Minimum Height:	1850mm
Recommended Height:	1900mm



Manufactured in the UK

PRODUCT NAME:

Verti45

SCALE: 1:40	SHEET SIZE: A3	DRAWN BY: AA
CHECKED BY: BCB	DATE: 26/01/2022	
PRODUCT NO. : SVT1G-XX (XX=No. of Space)		

- All dimensions are in mm unless otherwise stated
- Any dimensions scaled from this drawing are taken at the reader's own risk



01730 719 292
info@bellsure.co.uk
bellsure.co.uk