

SURFACE MOUNTED PAPER TOWEL DISPENSER

KV6107.0107

- Paper towel dispenser fitted with viewing indicator
- SSS finish
- Welded corners, no sharp edges



CONTACT DETAILS

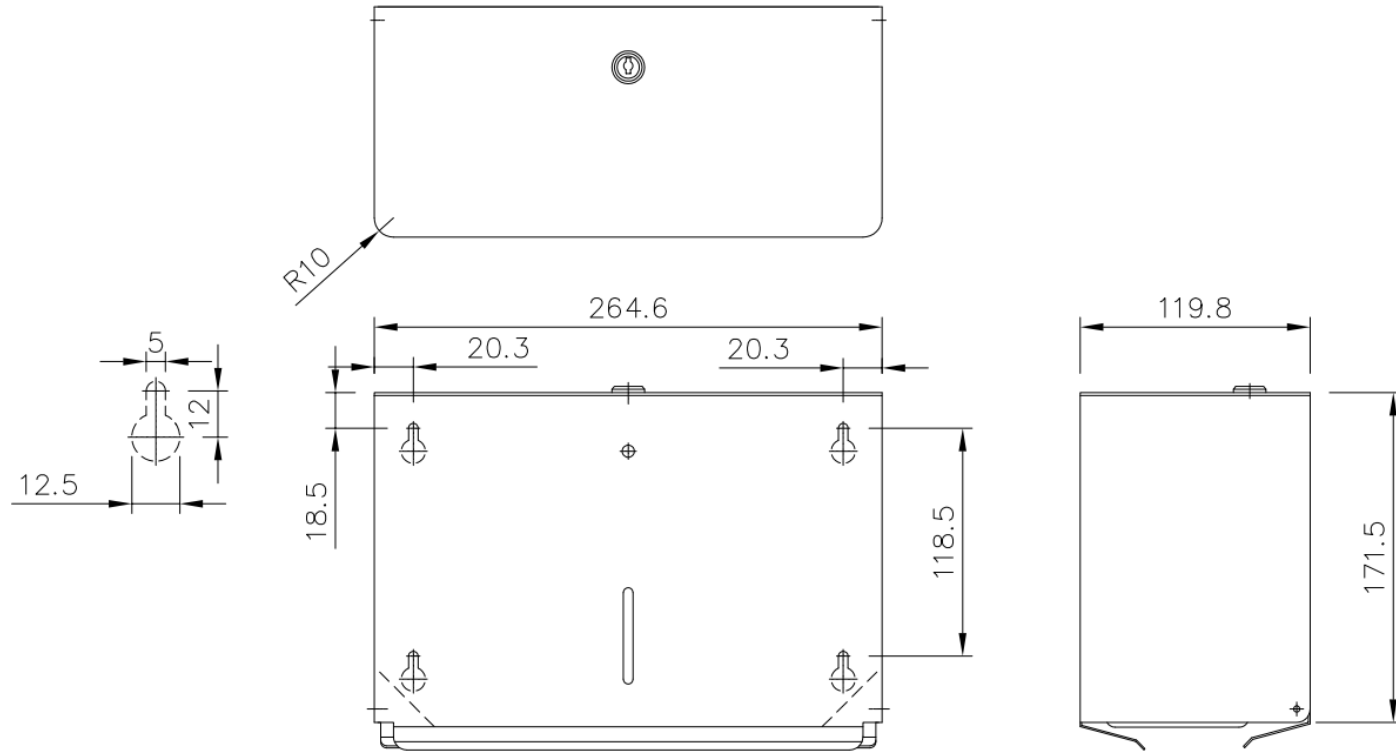
Phone : (+44) 1483 568287

Fax: (+44) 1483 540830

Email : web.enquiries@bellsure.co.uk

SURFACE MOUNTED PAPER TOWEL DISPENSER

KV6107.0107



CONTACT DETAILS

Phone : (+44) 1483 568287

Fax: (+44) 1483 540830

Email : web.enquiries@bellsure.co.uk