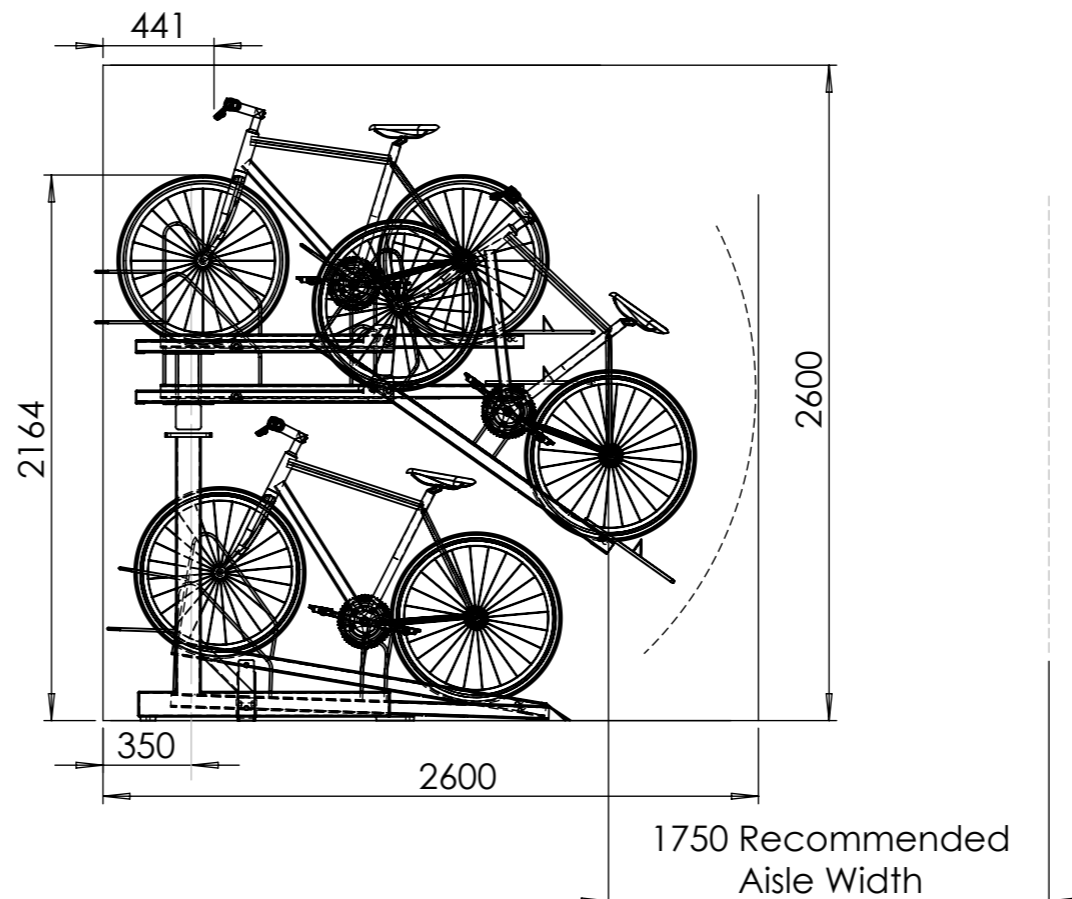
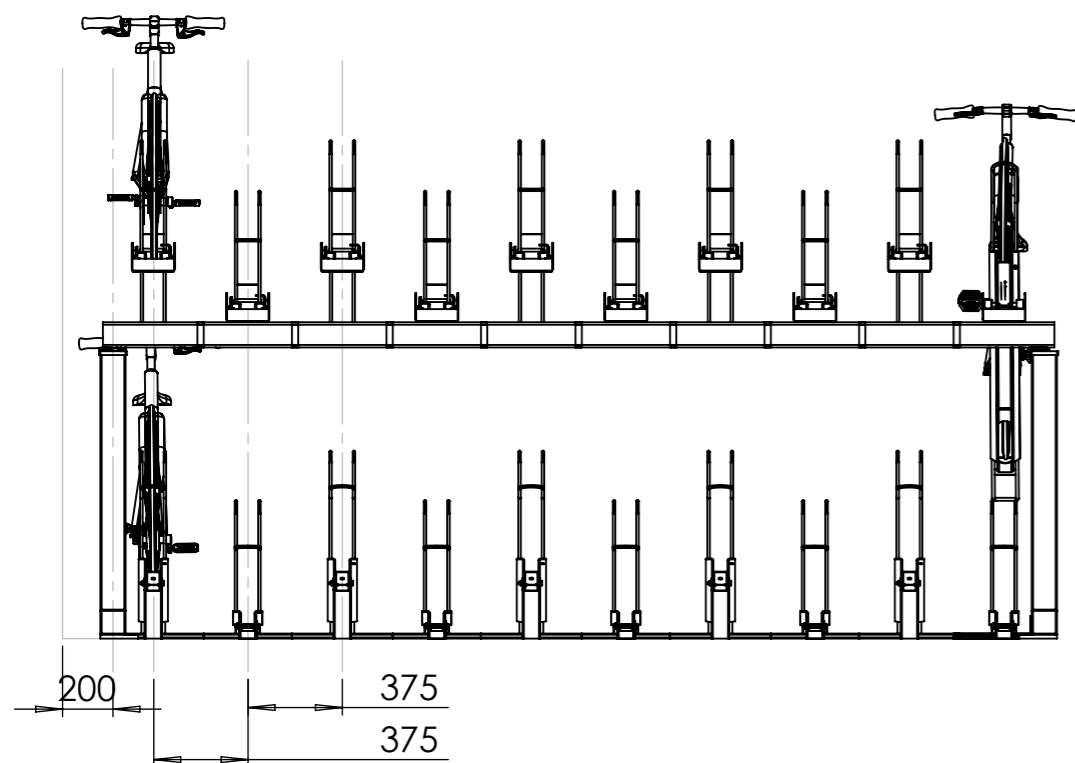


Sheet Notes

- All dimensions are in mm unless otherwise stated
- Any dimensions scaled from this drawing are taken at readers own risk

Product Spec

Configuration:	Single sided
Size:	As per drawing
Material:	Mild steel
Finish Options:	Galvanised
Fixing Options:	Surface Mounted
Security:	Locking Rail



T: 01730 719292 | www.bellsure.co.uk | E: streetsure@bellsure.co.uk

PRODUCT NAME:
Classic Double Decker 375