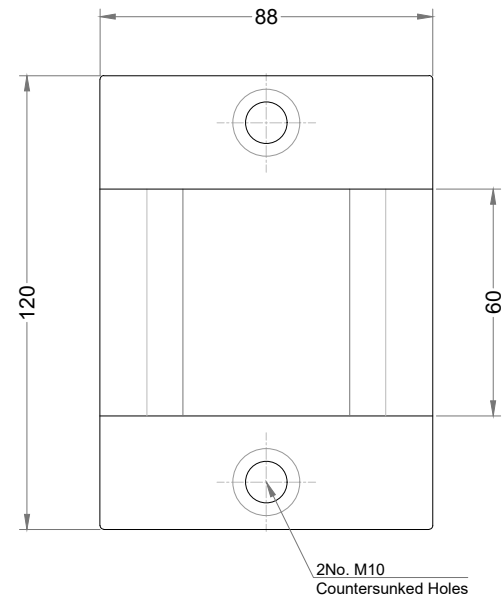
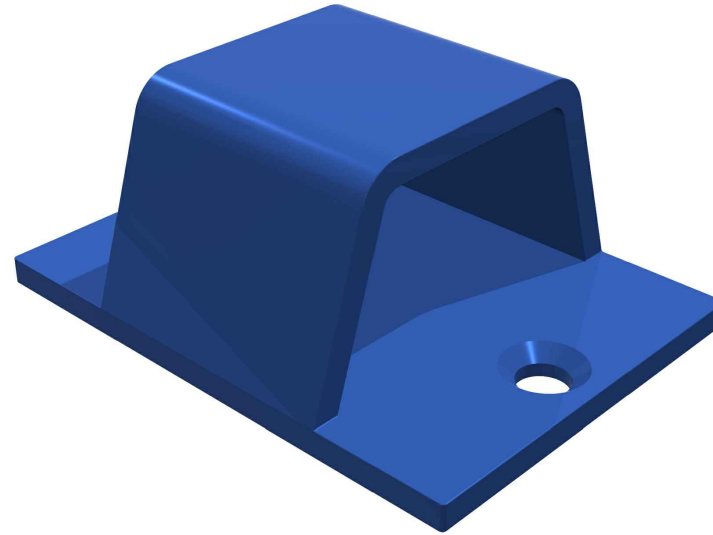


SBD Ground Anchor

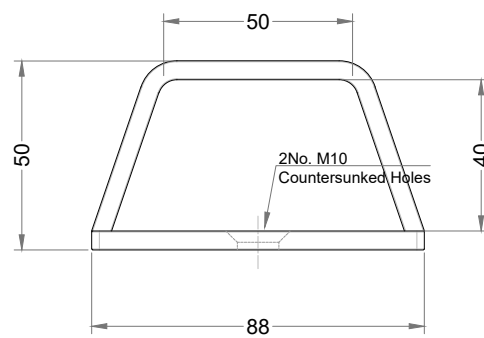
Top View



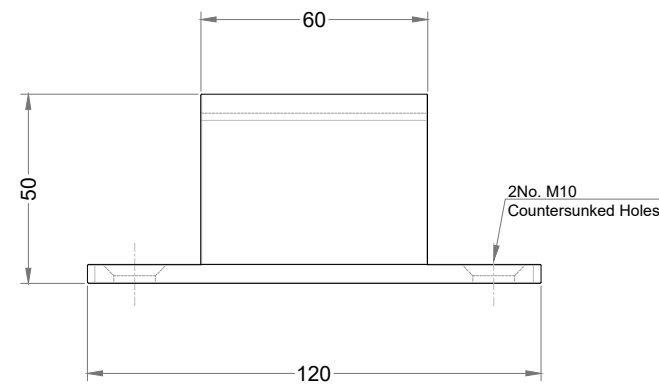
Perspective View



Front View



Side View



Technical information

Materials:	5mm Hardened Steel
Standard Finish:	Powder Coated Blue
Fixing:	Floor or Wall Mounted
BREEAM:	Our products will assist with achieving BREEAM rating
Product Warranty:	Two years
Accreditation:	Sold Secure Approved
Benefits:	SBD Ground Anchor is ideal for providing a secure locking point for motorcycles, scooters or cycles in shared public spaces. It is Sold Secure approved – Motorscooter Silver and Bicycle Silver.



Manufactured in the UK

PRODUCT NAME:

SBD Ground Anchor

SCALE: 1:2	SHEET SIZE: A3	DRAWN BY: AA
---------------	-------------------	-----------------

CHECKED BY: KD	DATE: 22/07/2022
----------------	------------------

PRODUCT NO. : SPGROUNDANC

- All dimensions are in mm unless otherwise stated
- Any dimensions scaled from this drawing are taken at the reader's own risk



01730 719 292
info@bellsure.co.uk
bellsure.co.uk