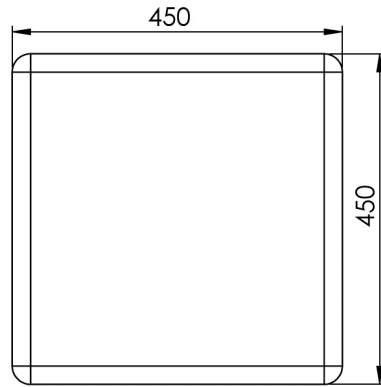


Stratacrete Concrete Raised Cube

Top View



Perspective View



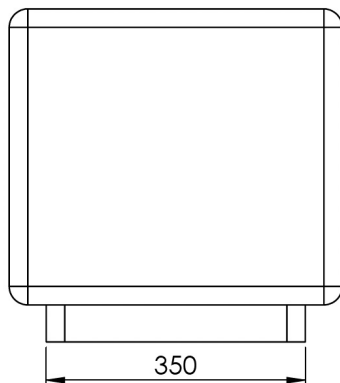
Technical Information

- Materials:** Dressed, smooth finish concrete in grey as standard
- Optional Finishes:** Light grey, white, black, red and yellow (price on request)
- Fixing Method:** Surface mounted
- Size:** 450 x 450 x 450mm
- BREEAM:** Our products will assist with achieving BREEAM rating.

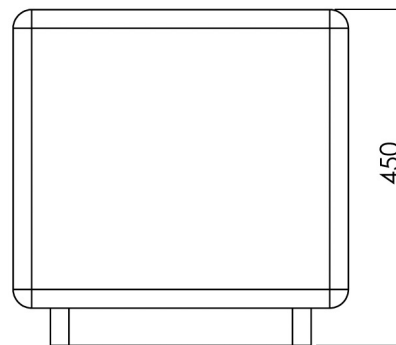
All dimensions are in mm unless otherwise mentioned

Any dimensions scaled from the drawing are taken at readers' own risk

Front View



Side View



PRODUCT NAME

Stratacrete Concrete Raised Cube

SCALE	SHEET SIZE	DRAWN BY
1:40	A4	AA

CHECKED BY: BCB	DATE: 28/06/2023
-----------------	------------------

PRODUCT NO.:

All dimensions are in mm unless otherwise stated
Any dimensions scaled from this drawing are taken at the reader's own risk