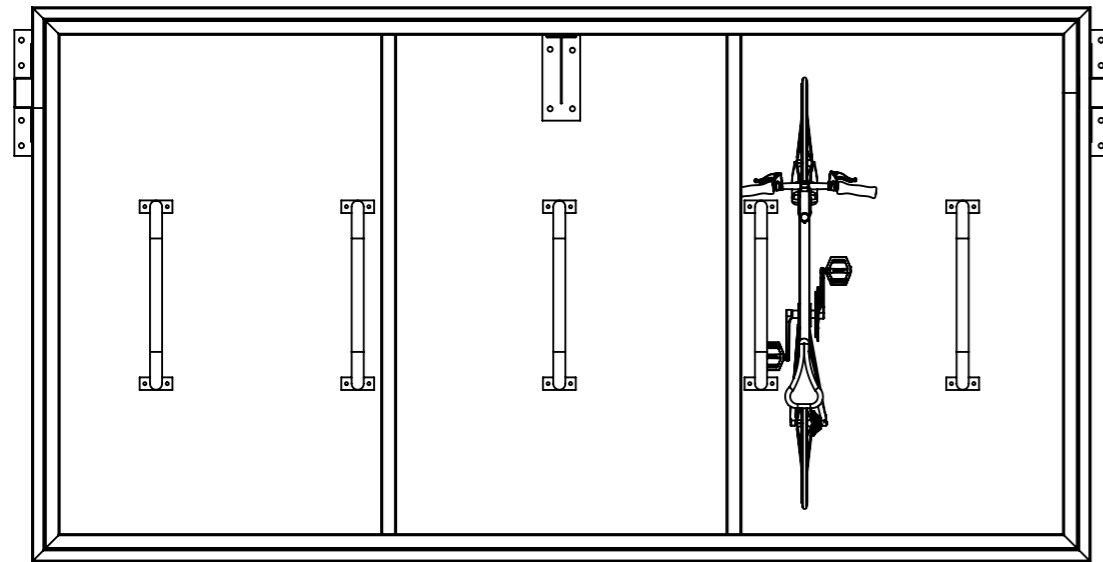


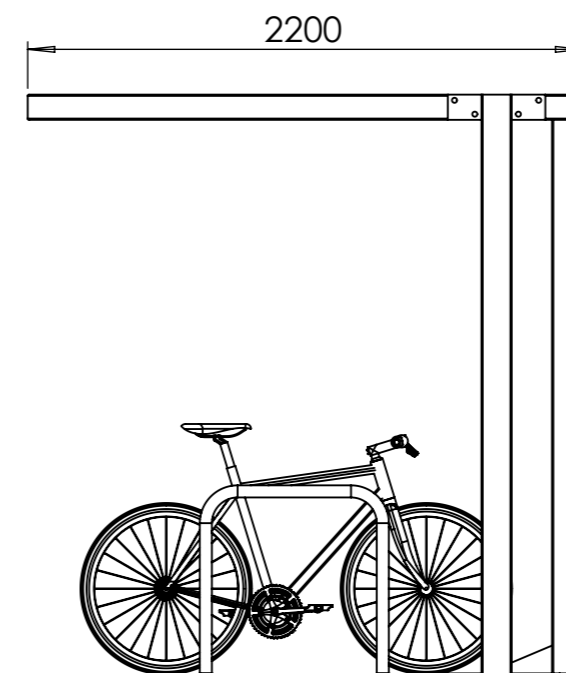
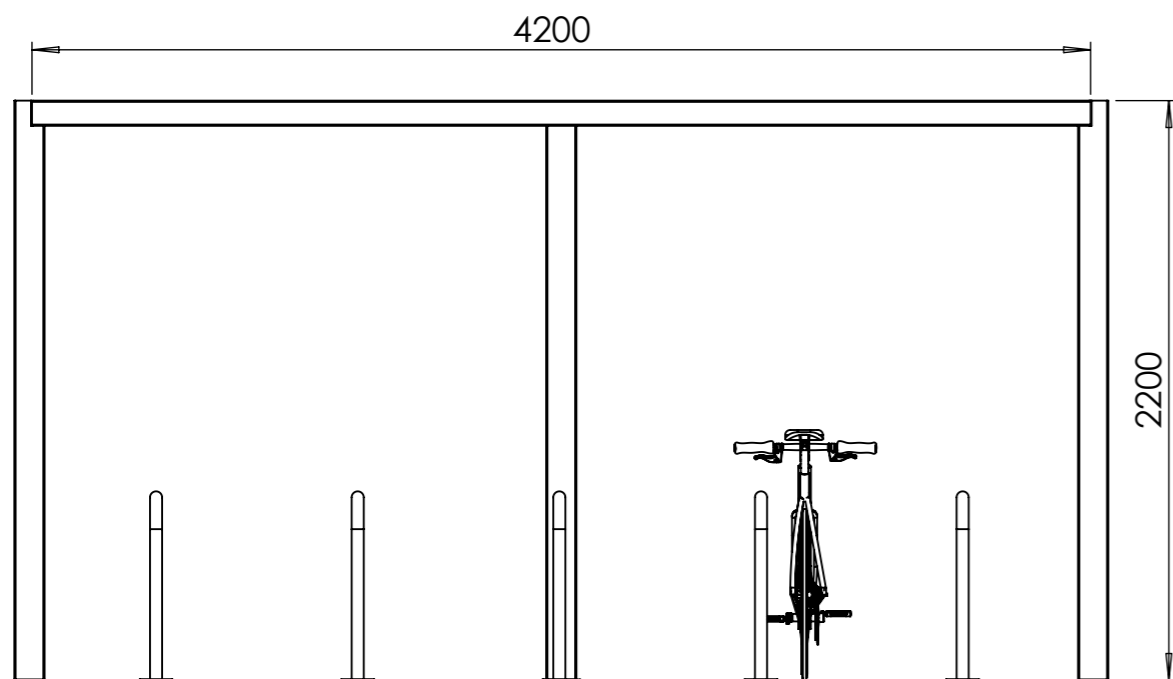
Sheet Notes

- All dimensions are in mm unless otherwise stated
- Any dimensions scaled from this drawing are taken at readers own risk



Product Spec

- Size: 2200H x 4200W x 2200D
(Suitable for any type/configuration of cycle rack, please send your specific requirements)
- Material: Steel
- Finish Options: Galvanised only or galvanised & powdercoated
- Fixing Options: Surface mounted with baseplates or root-fixed
- Bike Capacity: 10
- Roof Type: Steel profile roof sheet
- Security: Locking Rail



T: 01730 719292 | www.bellsure.co.uk | E: streetsure@bellsure.co.uk

PRODUCT NAME:

CuvaSpan Cycle Shelter