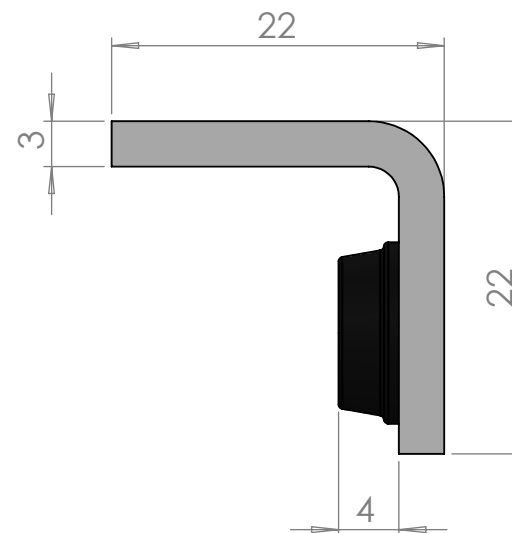
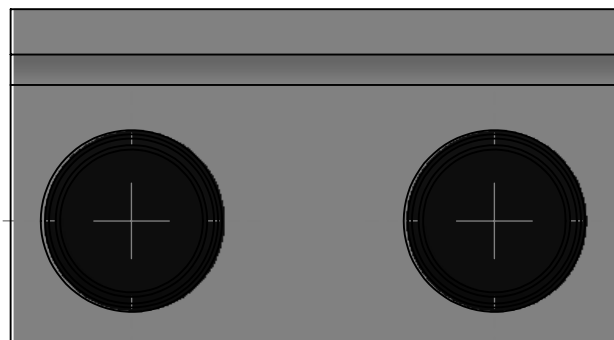
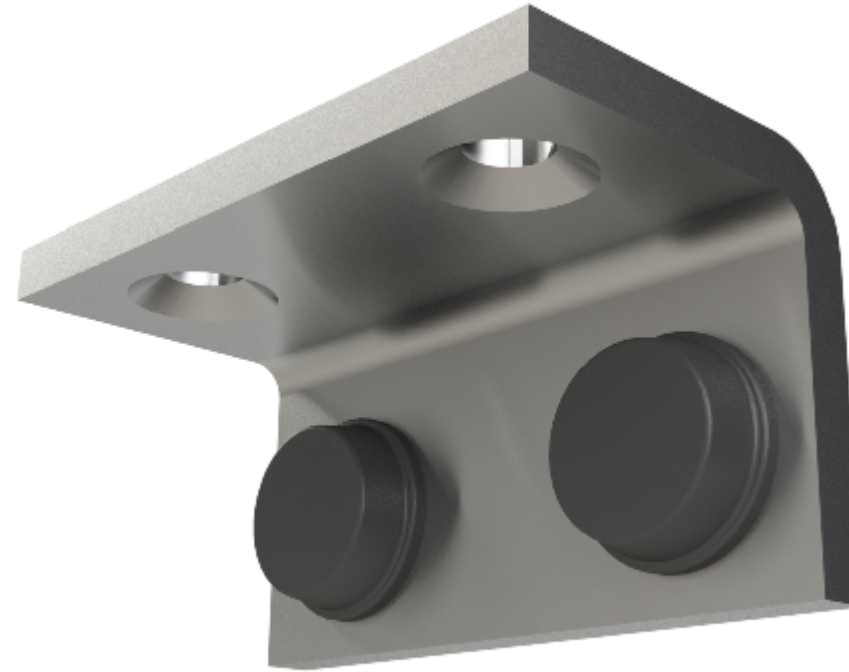
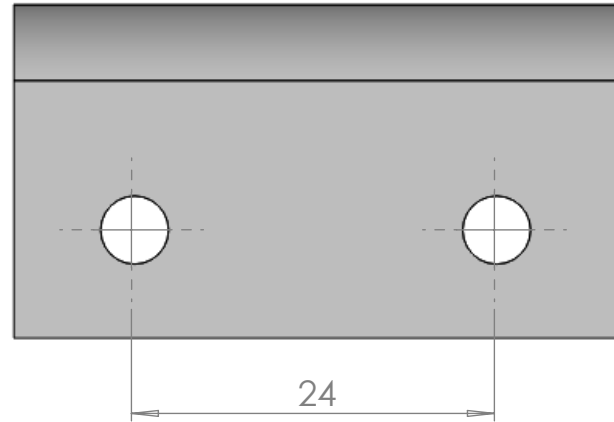


Product Specification Sheet

Accessories | Angled Head Stop



Sheet Notes

- All dimensions are in mm unless otherwise stated
- Any dimensions scaled from this drawing are taken at readers own risk

Product Key Features

Material Finish: Black
 Handing: Non Handed
 Packaging: Each



T 01730 719 292
 E info@bellsure.co.uk
 W bellsure.co.uk

PRODUCT NAME: Angled Head Stop	PART NO. 2116AHS
DRAWING	

SCALE: 1:1 SHEET SIZE: A3 DRAWN BY: BK CHECKED BY: MJ DATE: 20/05/13
 PROJECT NO. DRAWING NO.