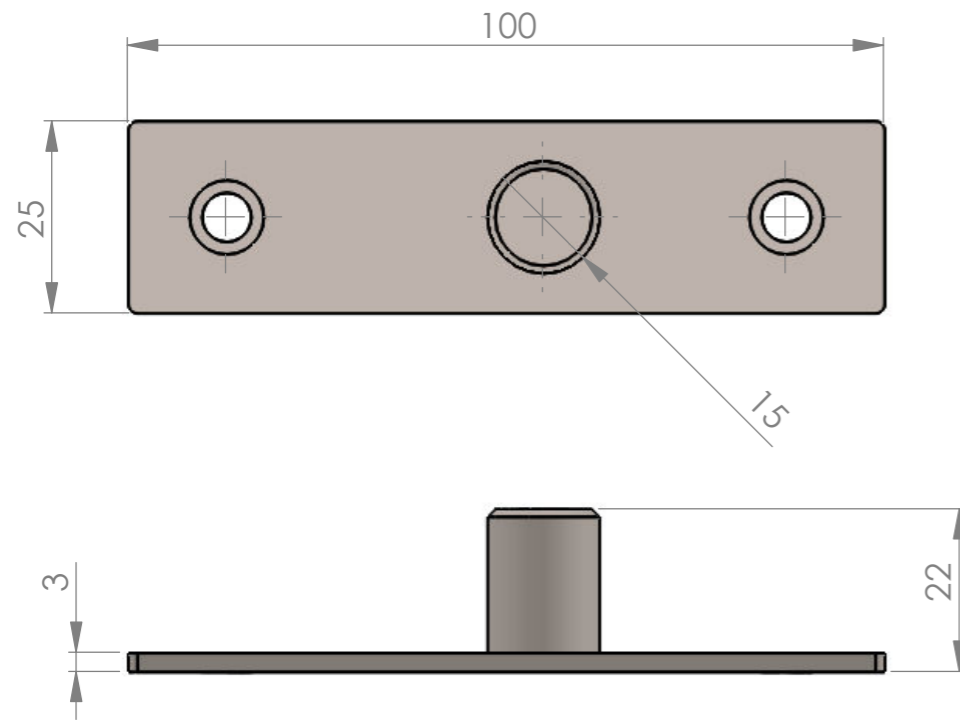
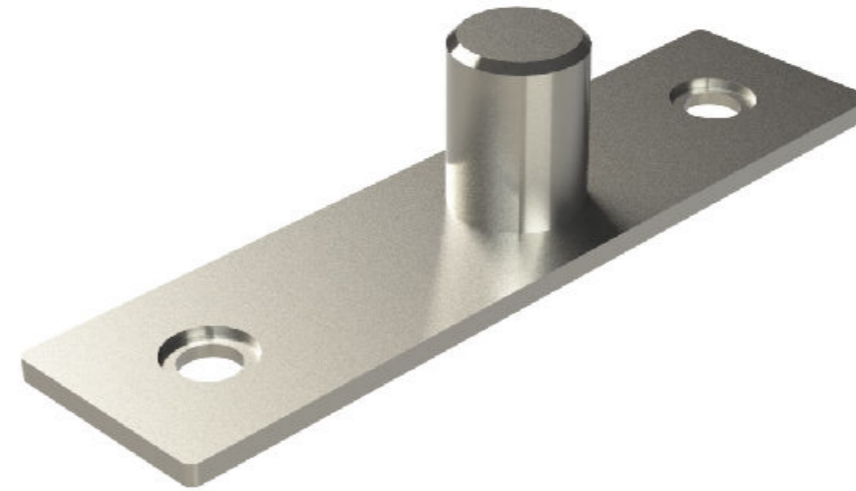


Product Specification Sheet

Accessories | Top Centres



GP10 Flat Plate Top Centre
1:1

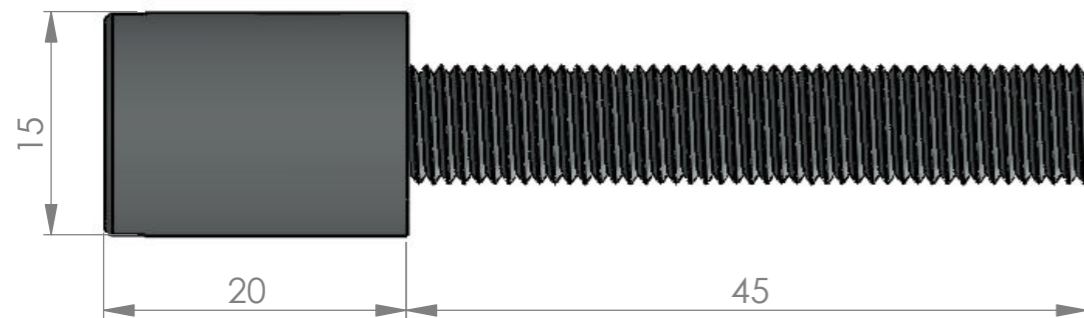
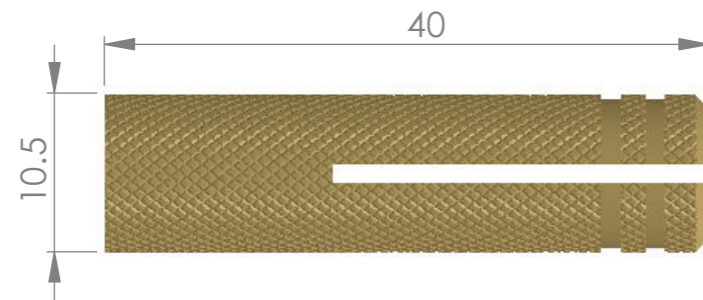


Sheet Notes

- All dimensions are in mm unless otherwise stated
- Any dimensions scaled from this drawing are taken at readers own risk

Product Key Features

- Material Finish: • Brushed Stainless Steel
• Black
- Packaging: 1no.



GP20 Screw-in Top Centre
2:1



T 01730 719 292
E info@bellsure.co.uk
W bellsure.co.uk

PRODUCT NAME:	PART NO.
Flat Plate Top Centre Screw-in Top Centre	GP10 GP20

DRAWING

SCALE: N/A SHEET SIZE: A3 DRAWN BY: BK CHECKED BY: JD DATE: 20/05/13
PROJECT NO. DRAWING NO.