

Product Specification Sheet

Hinges | Lift-off Glass Hinge

Sheet Notes

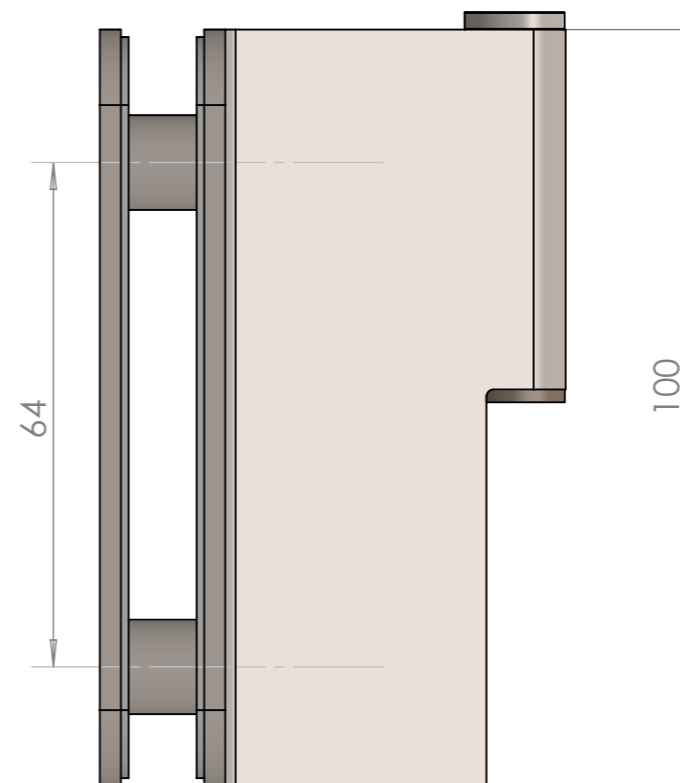
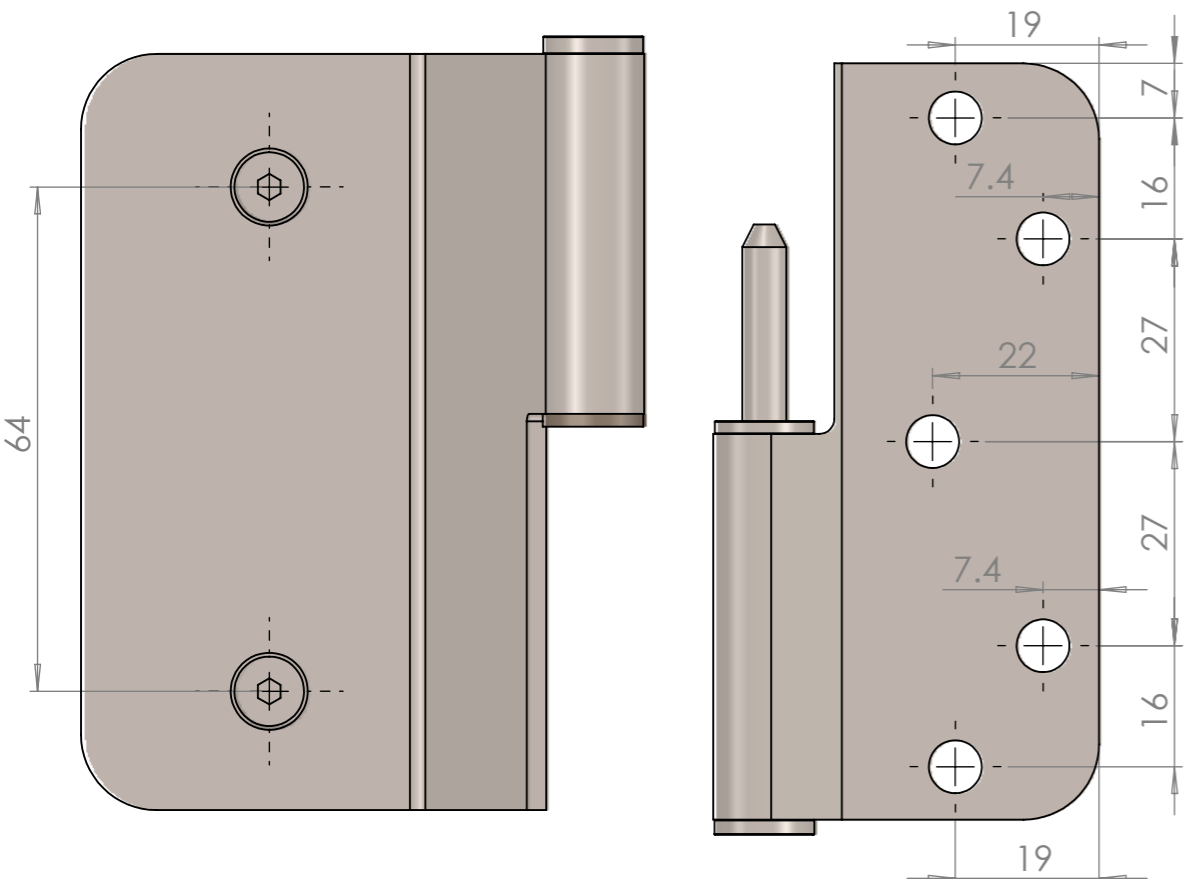
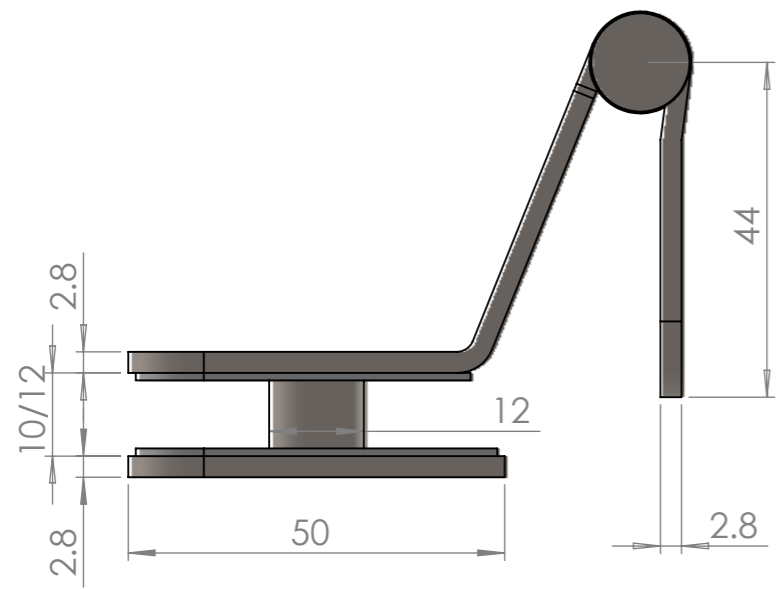
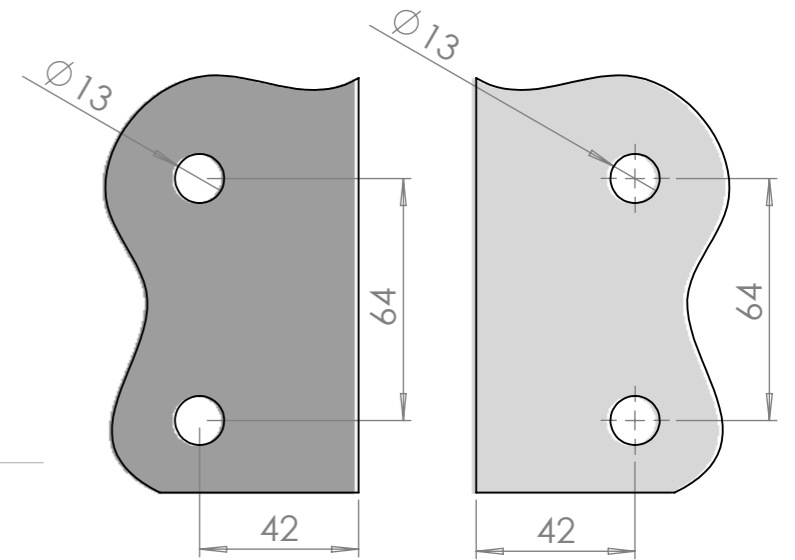
- All dimensions are in mm unless otherwise stated
- Any dimensions scaled from this drawing are taken at readers own risk

Product Key Features

- Material Finish: 304 Grade Stainless Steel
- Finish:
 - Brushed
 - Black
- Handed: DIN R/L
- Max Door Weight: 3 Hinges = 80Kg

Glass Preparation Details

Scale 1:2



T 01730 719 292
E info@bellsure.co.uk
W bellsure.co.uk

PRODUCT NAME: Lift-off Glass Hinge

PART NO.: PL101R/L

DRAWING

SCALE: 1:1 SHEET SIZE: A3 DRAWN BY: BK CHECKED BY: MJ DATE: 20/05/13

PROJECT NO. DRAWING NO.