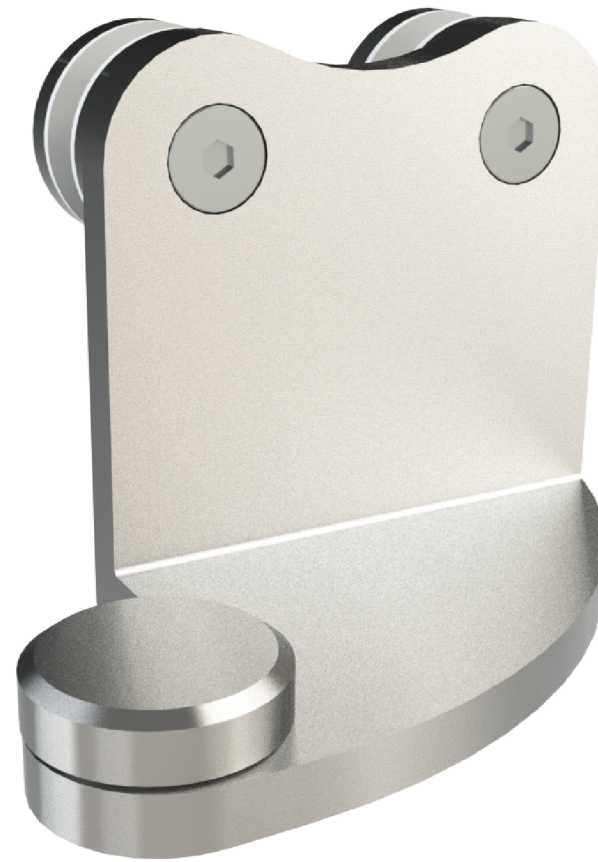
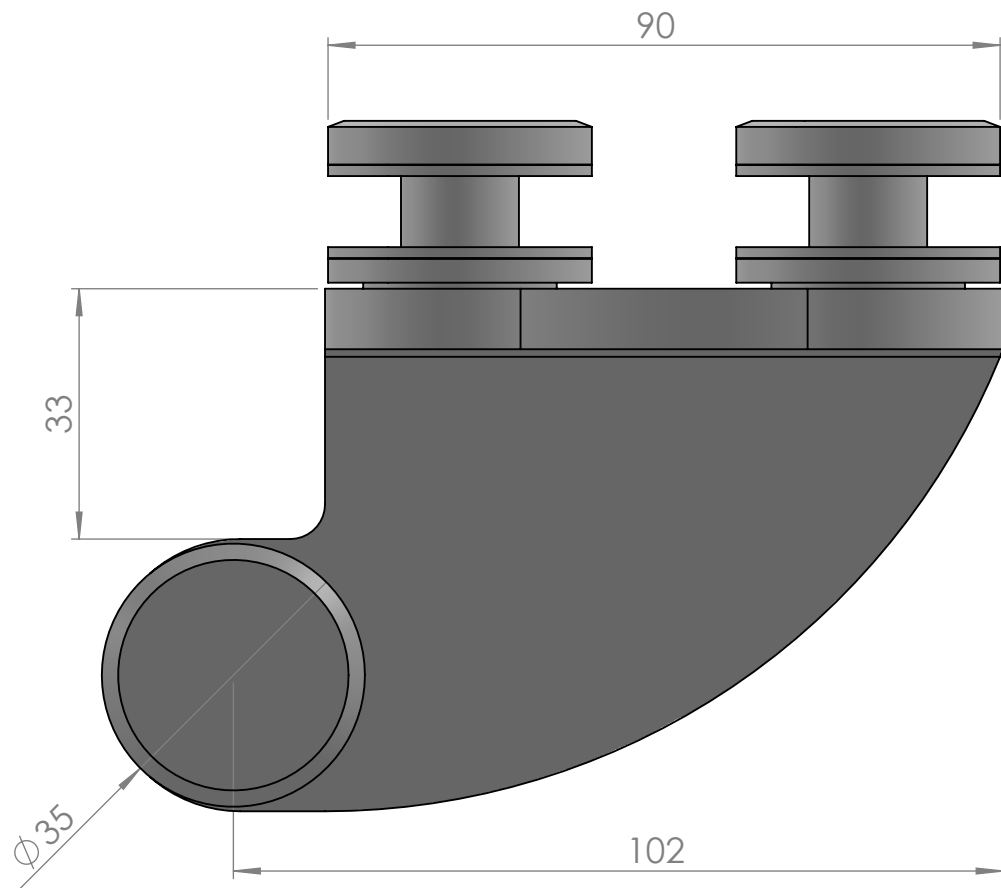


# Product Specification Sheet

## Pivots | Primeline Extended Offset Bottom Pivot - Left Hand



### Sheet Notes

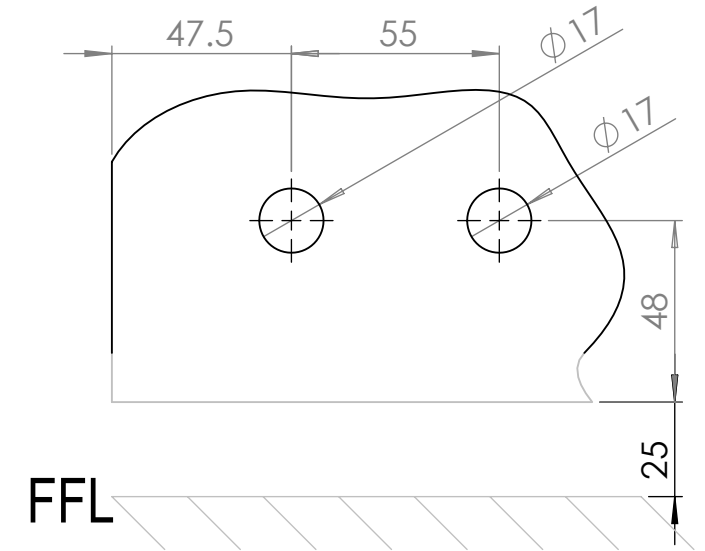
- All dimensions are in mm unless otherwise stated
- Any dimensions scaled from this drawing are taken at readers own risk

### Product Key Features

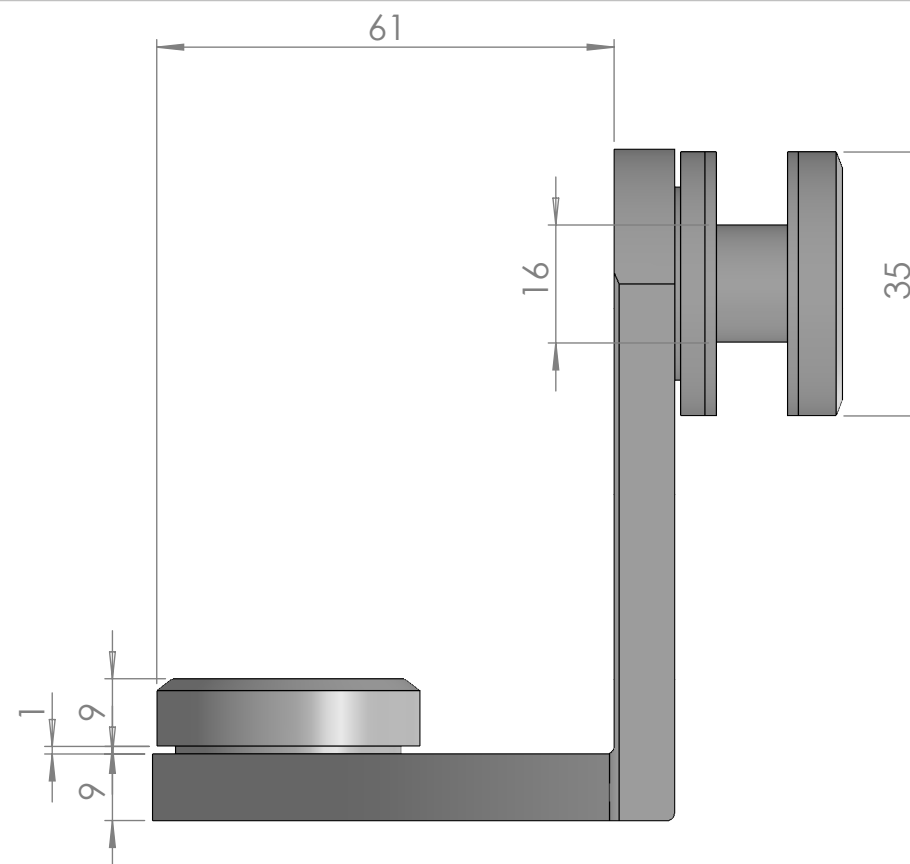
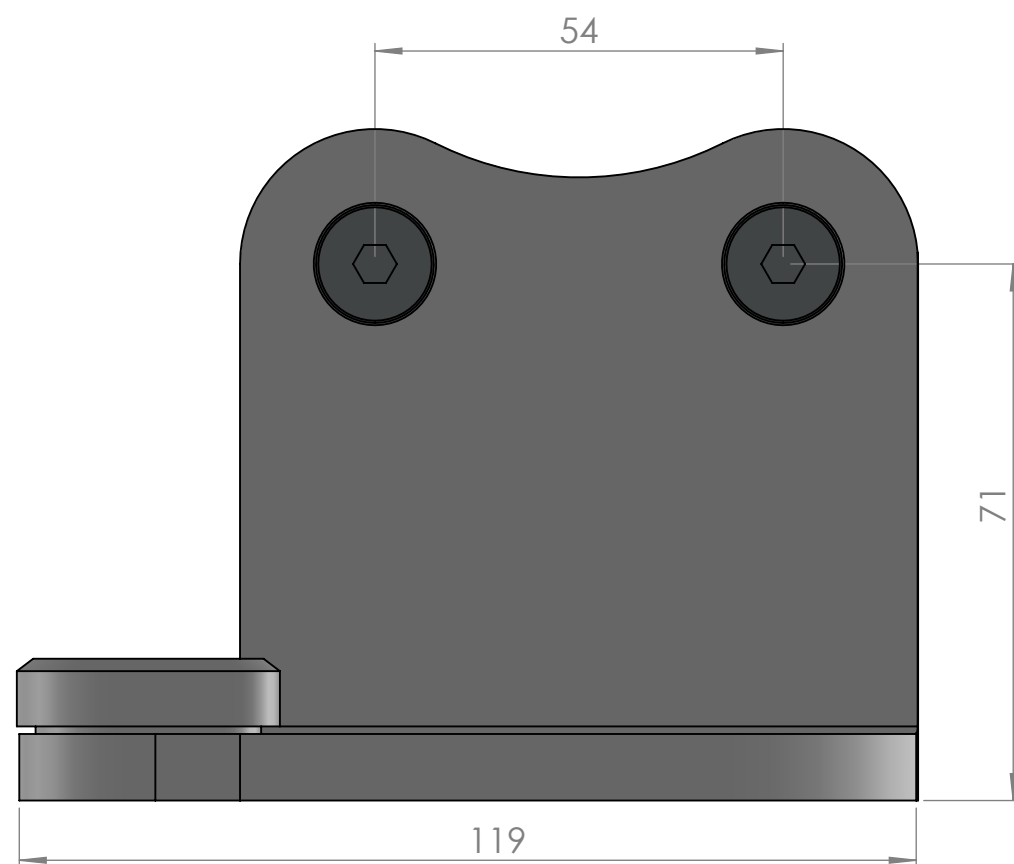
- Material Finish:
- Stainless Steel Grade 304
  - Black

### Glass Preparation Details

Scale 1:2



For Use With QSP10 Drop Seal



T 01730 719 292  
E info@bellsure.co.uk  
W bellsure.co.uk

PRODUCT NAME: <b>Extended Offset Bottom Pivot - Left Hand</b>	PART NO. <b>PL106EXTSS</b>
--	-------------------------------

DRAWING

SCALE: 1:1	SHEET SIZE: A3	DRAWN BY: BK	CHECKED BY: MJ	DATE: 20/05/13
PROJECT NO.	DRAWING NO.			