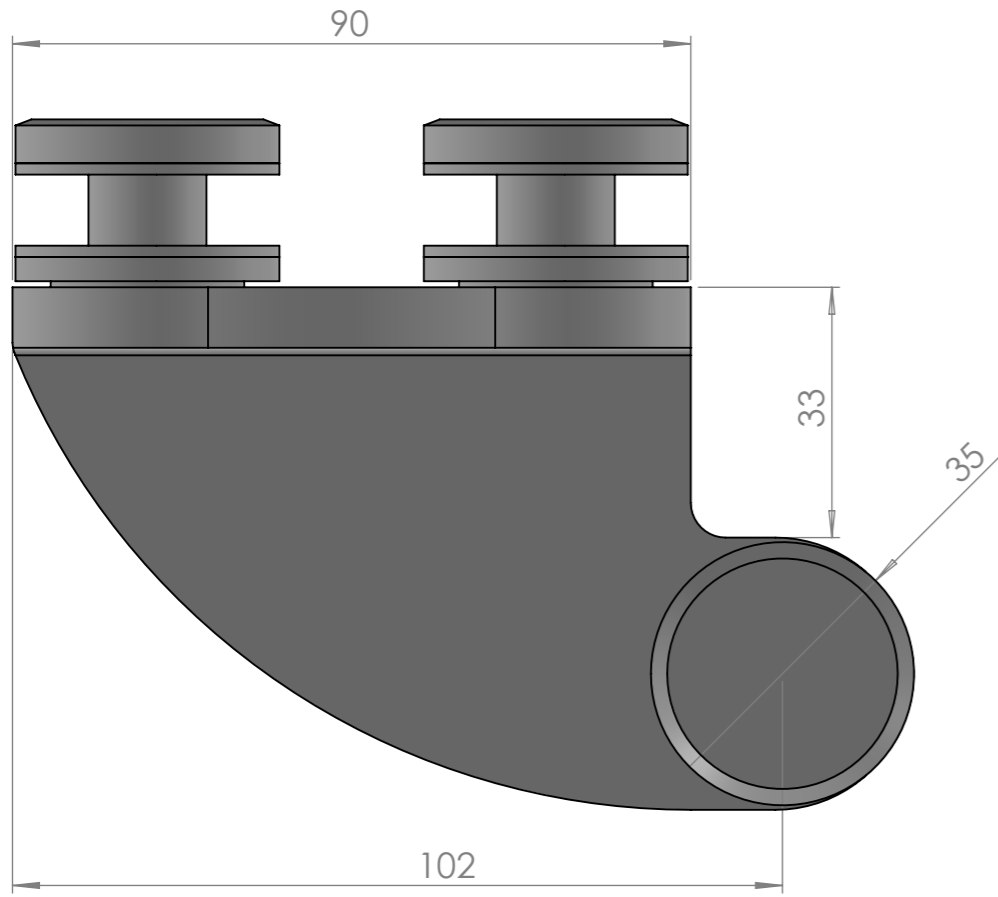


# Product Specification Sheet

## Pivots | Primeline Offset Bottom Pivot - Right Hand



### Sheet Notes

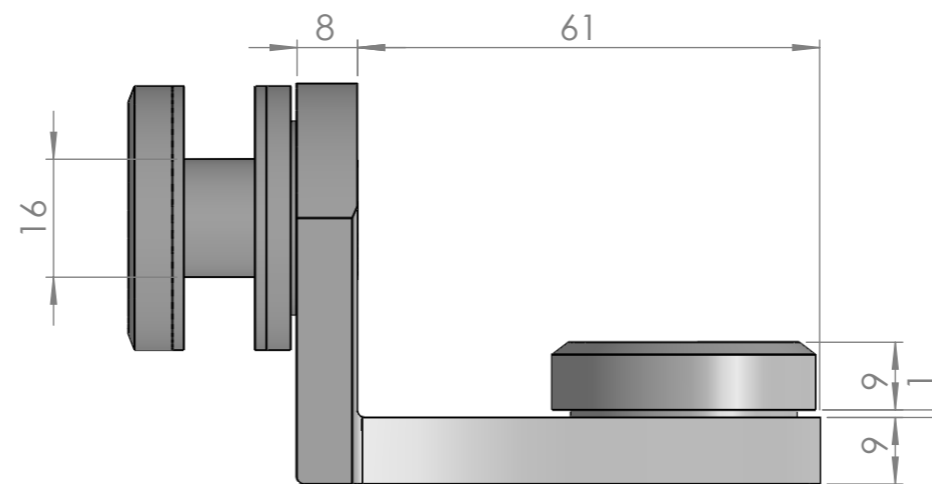
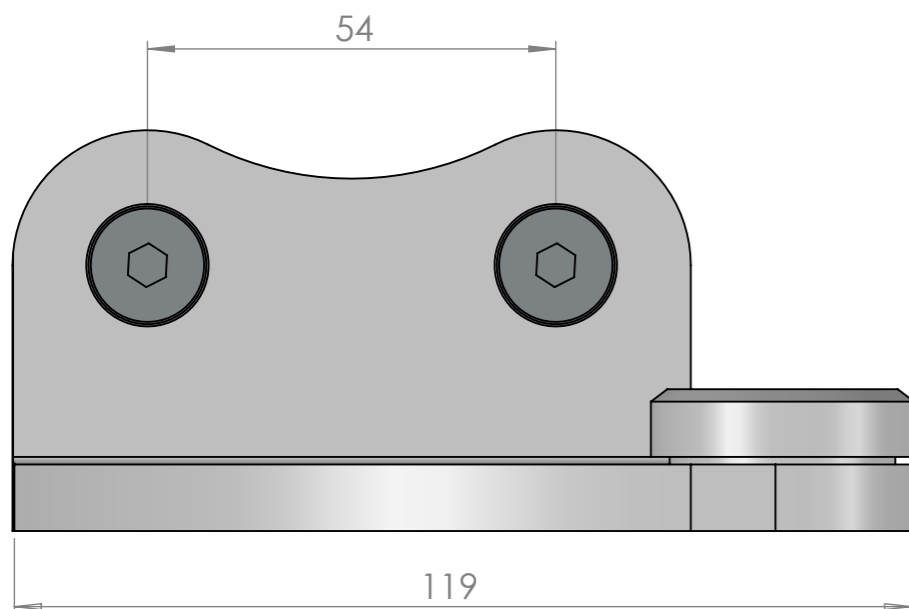
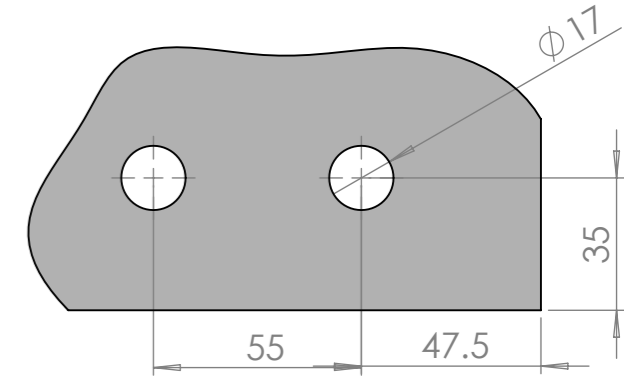
- All dimensions are in mm unless otherwise stated
- Any dimensions scaled from this drawing are taken at readers own risk

### Product Key Features

- Material Finish:
- Stainless Steel Grade 304
  - Black
- Max Door Weight: 100kg  
 Max Door Width: 1100mm  
 Handing: DIN RH
- Glass Thickness Compatibility: 10mm or 12mm

### Glass Preparation Details

Scale: 1:2



T 01730 719 292  
 E info@bellsure.co.uk  
 W bellsure.co.uk

PRODUCT NAME: <b>Offset Bottom Pivot - Right Hand</b>	PART NO. <b>PL107</b>
DRAWING	

SCALE: 1:1 SHEET SIZE: A3 DRAWN BY: BK CHECKED BY: MJ DATE: 20/05/13  
 PROJECT NO. DRAWING NO.