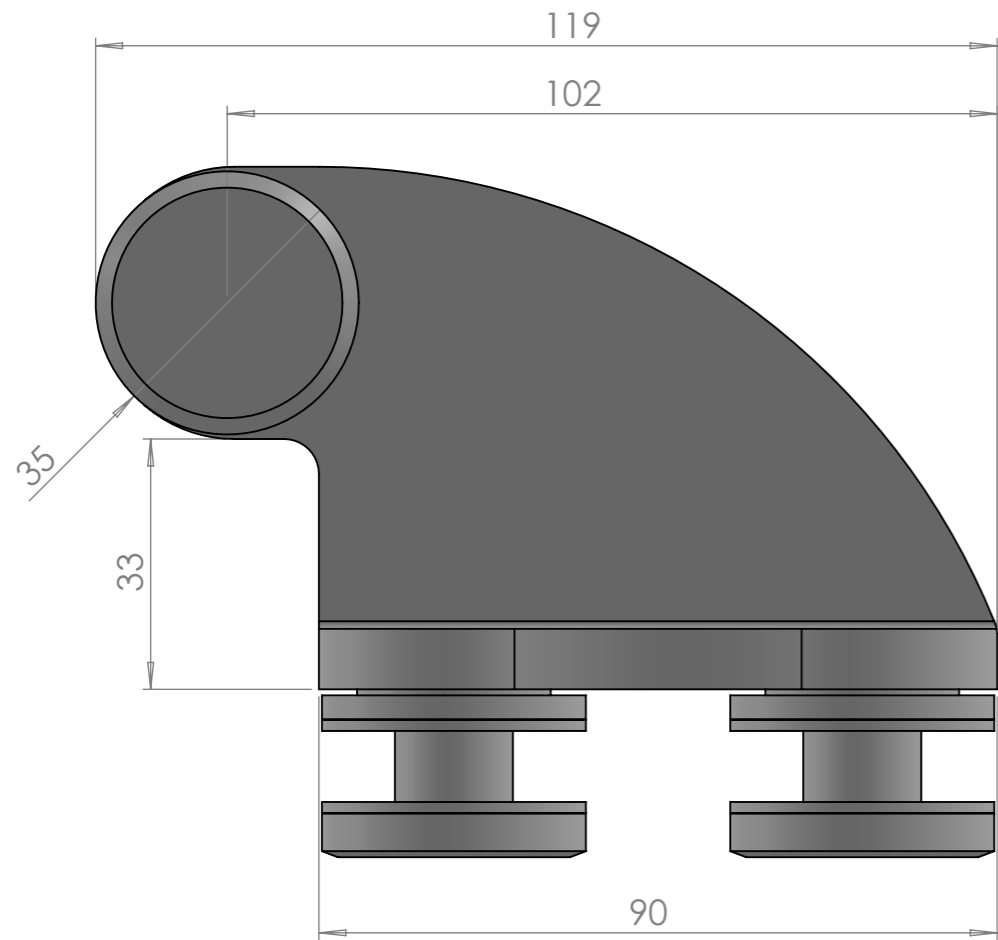


Product Specification Sheet

Pivots | Primeline Offset Top Pivot - Left Hand



Sheet Notes

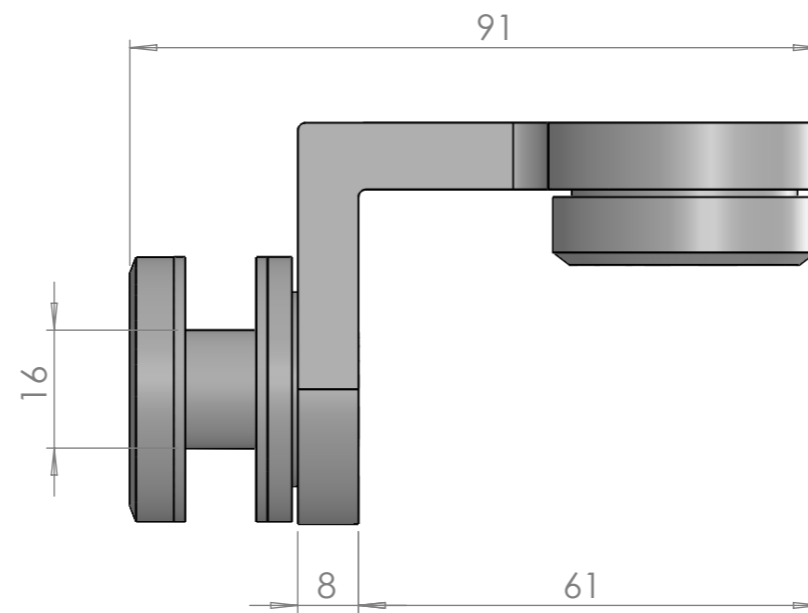
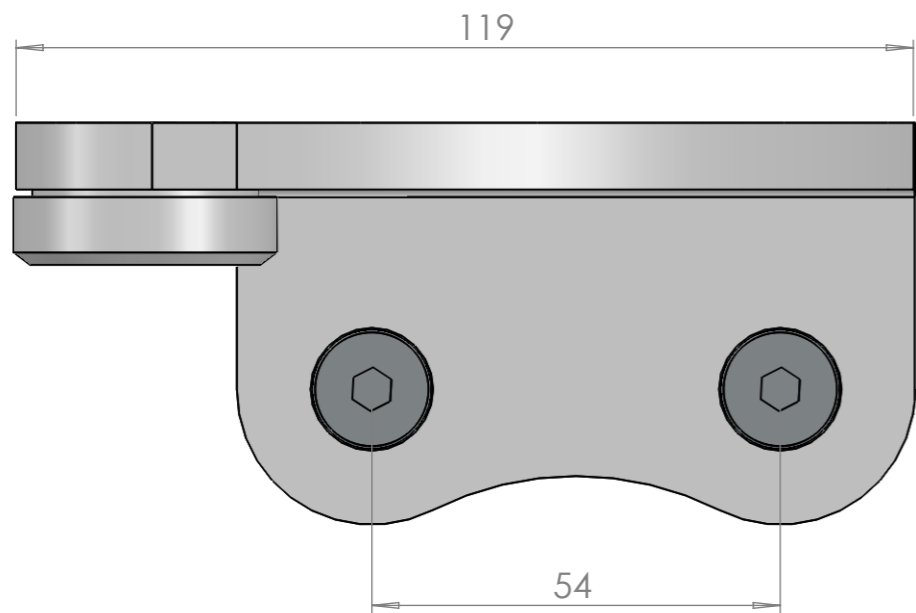
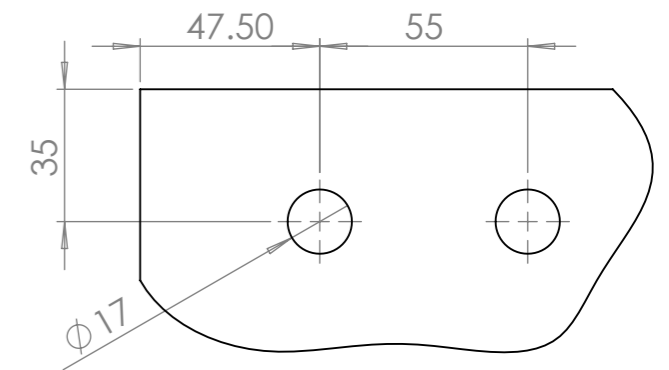
- All dimensions are in mm unless otherwise stated
- Any dimensions scaled from this drawing are taken at readers own risk

Product Key Features

- Material Finish:
- Stainless Steel Grade 304
 - Black
- Max Door Weight: 100kg
 Max Door Width: 1100mm
 Handing: DIN LH
 Glass Thickness Compatibility: 10mm or 12mm

Glass Preparation Details

Scale: 1:2



T 01730 719 292
 E info@bellsure.co.uk
 W bellsure.co.uk

PRODUCT NAME: Offset Top Pivot - Left Hand	PART NO. PL118
DRAWING	