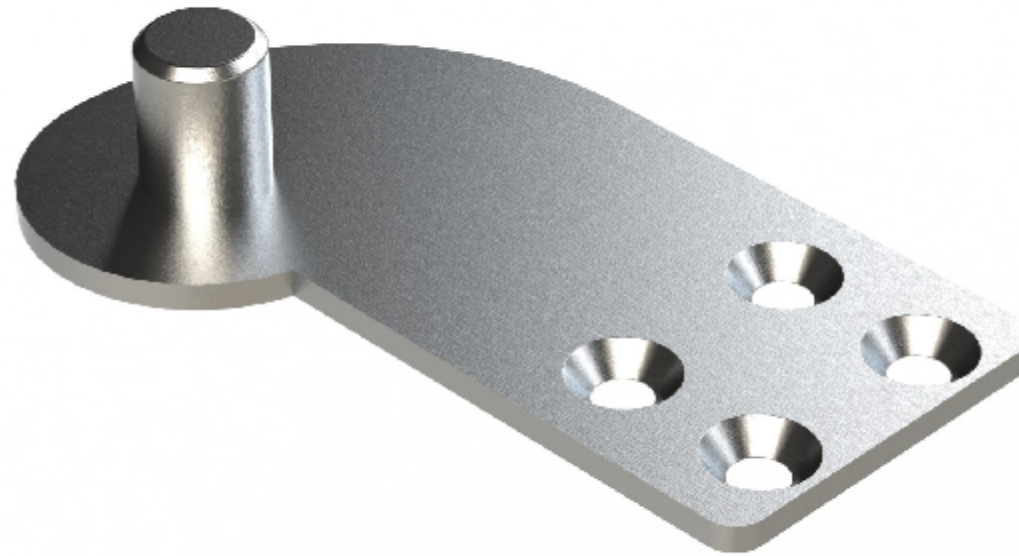
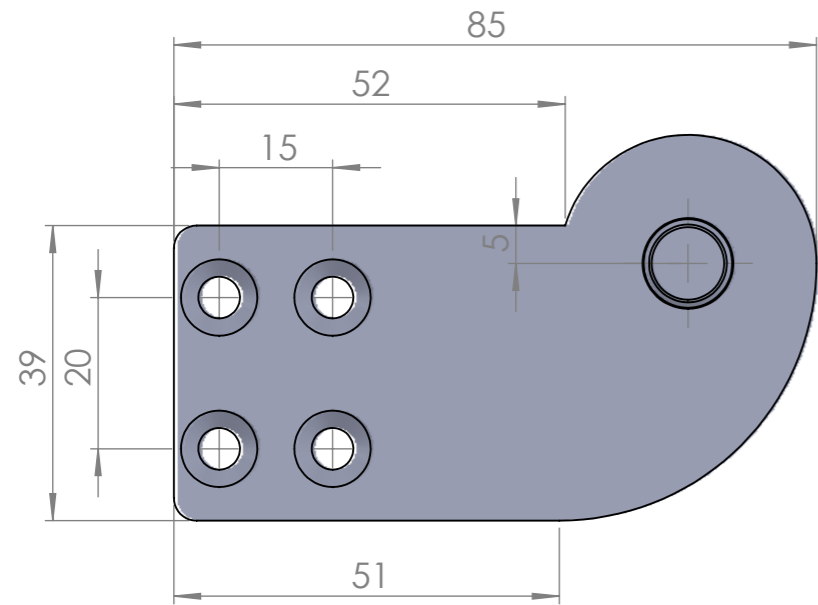


Product Specification Sheet

Pivots | Primeline Top Centre T/S Offset Pivot - Left Hand

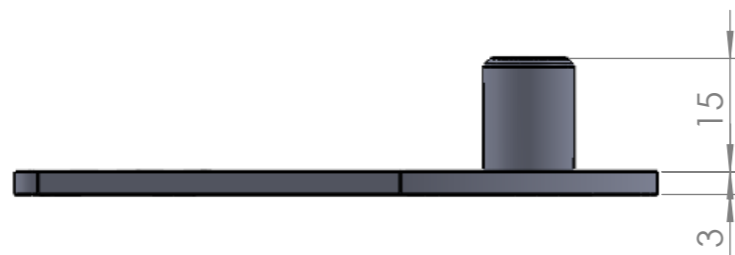


Sheet Notes

- All dimensions are in mm unless otherwise stated
- Any dimensions scaled from this drawing are taken at readers own risk

Product Key Features

- Material Finish:
- Stainless Steel Grade 304
 - Black



T 01730 719 292
E info@bellsure.co.uk
W bellsure.co.uk

PRODUCT NAME: Top Centre T/S Left Hand Offset Pivot	PART NO. PL152
DRAWING	

SCALE: 1:1 SHEET SIZE: A3 DRAWN BY: BK CHECKED BY: MJ DATE: 20/05/13
PROJECT NO. DRAWING NO.