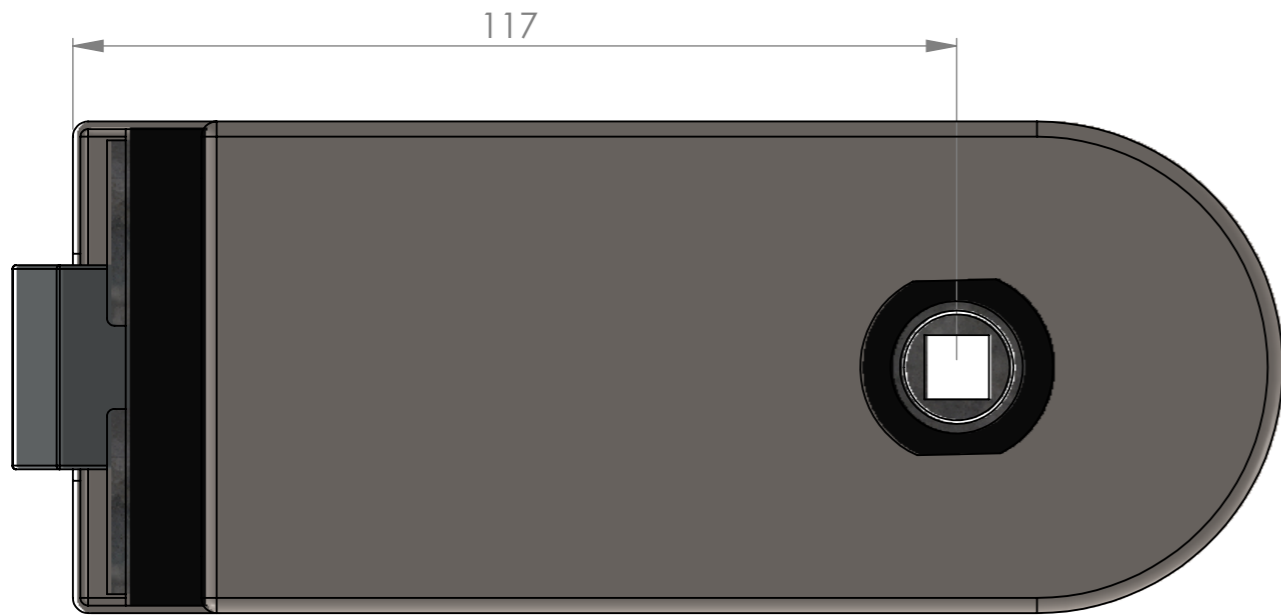


Product Specification Sheet

Locks | Primeline Non Locking Latch



Sheet Notes

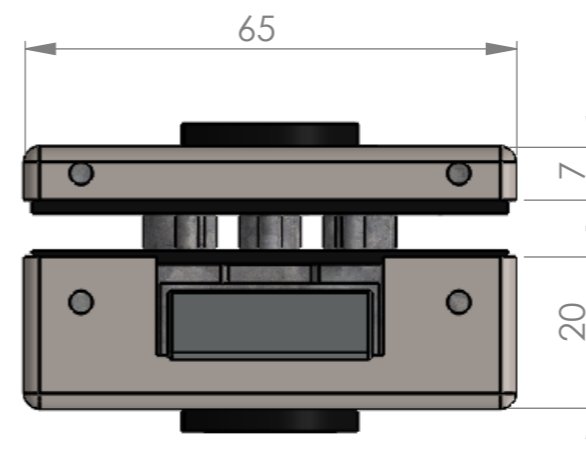
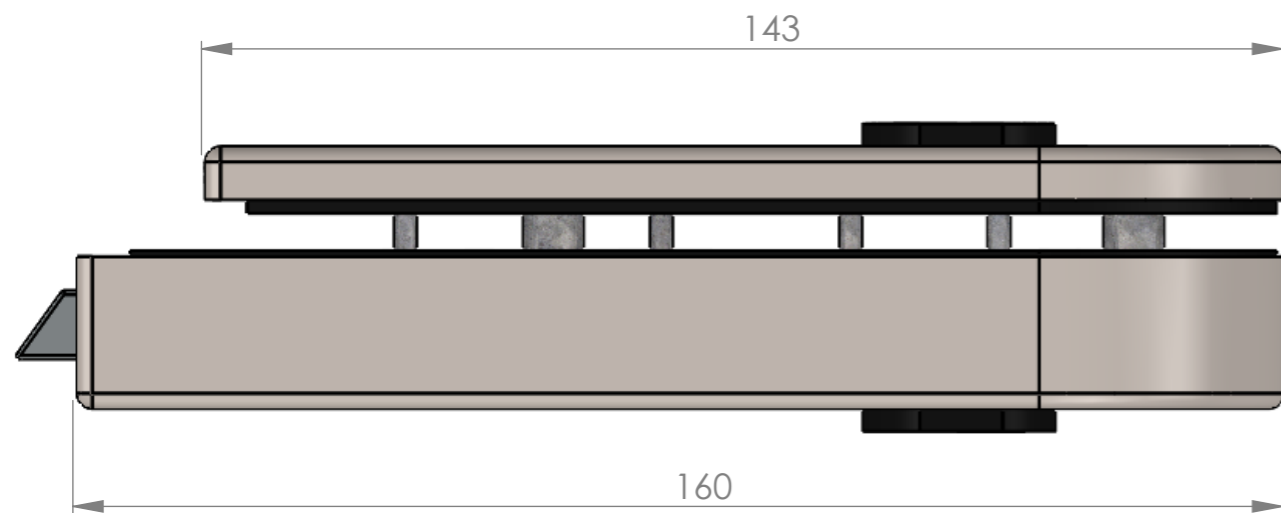
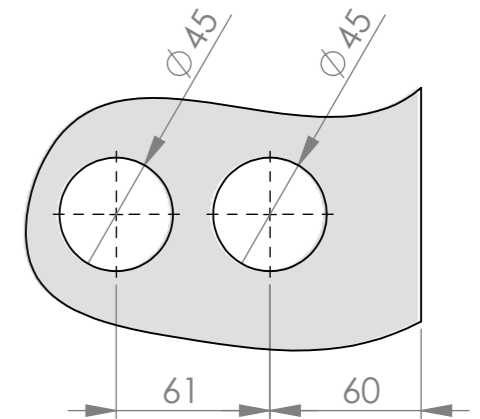
- All dimensions are in mm unless otherwise stated
- Any dimensions scaled from this drawing are taken at readers own risk

Product Key Features

- Material Finish:
- Brushed
 - Polished Stainless Steel Grade 304
 - Black
- Handing: Non Handed
- Packaging: Each

Glass Preparation Details

Scale 1:2



T 01730 719 292
E info@bellsure.co.uk
W bellsure.co.uk

PRODUCT NAME: Non Locking Latch	PART NO. PL200
DRAWING	

SCALE: 1:1 SHEET SIZE: A3 DRAWN BY: BK CHECKED BY: MJ DATE: 20/05/13
PROJECT NO. DRAWING NO.