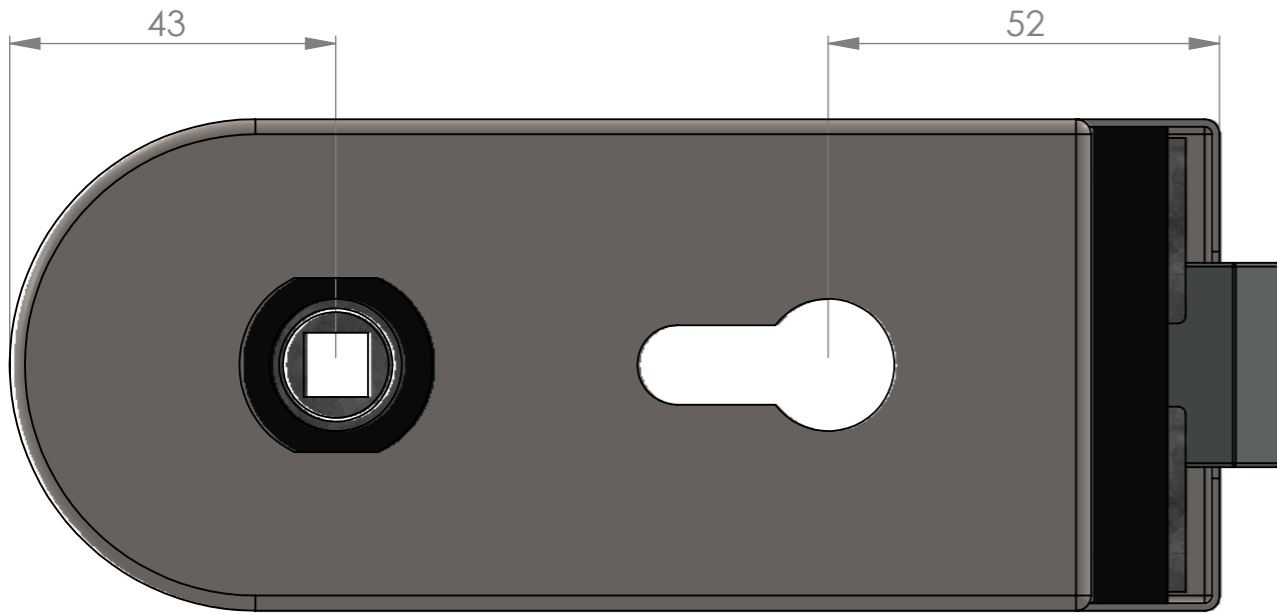


# Product Specification Sheet

## Locks | Primeline Locking Latch



### Sheet Notes

- All dimensions are in mm unless otherwise stated
- Any dimensions scaled from this drawing are taken at readers own risk

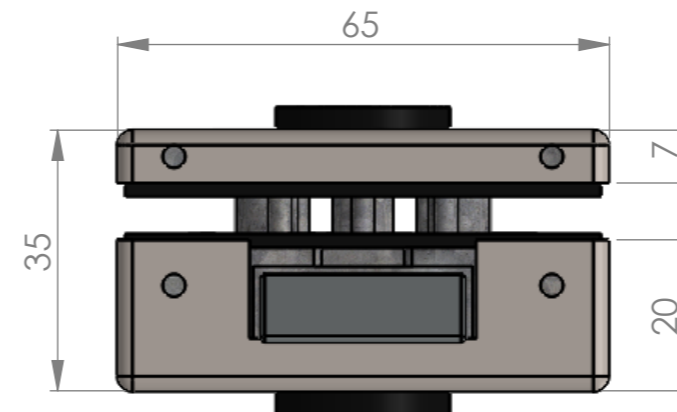
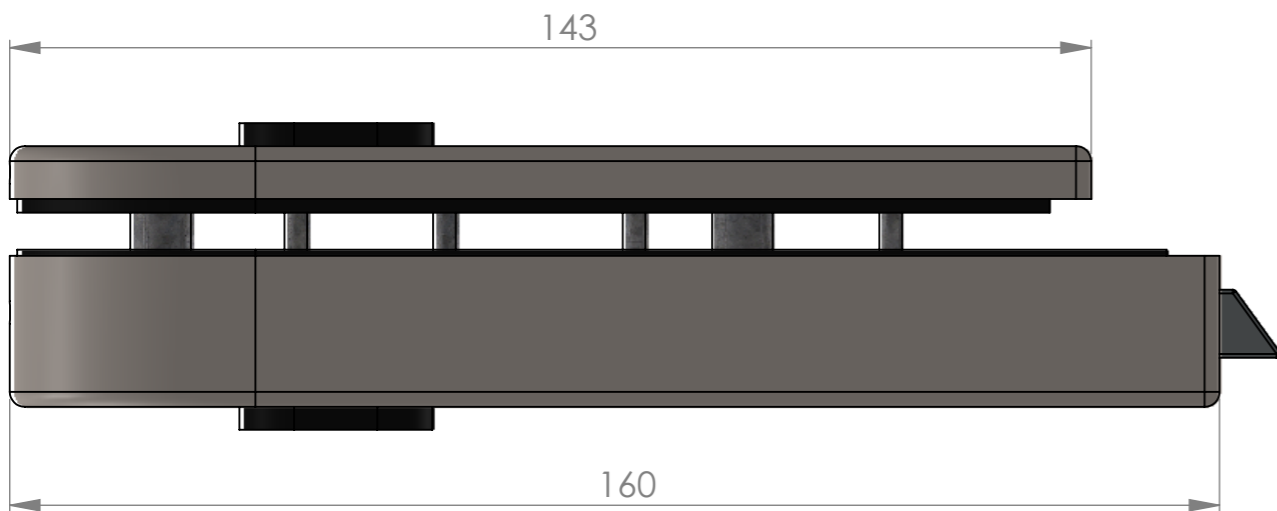
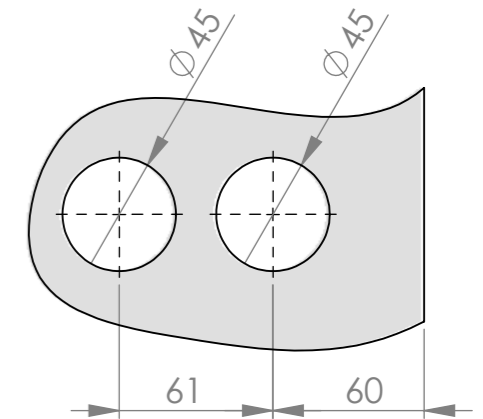
### Product Key Features

- Material Finish:
- Brushed Stainless Steel
  - Polished Stainless Steel Grade 304 Handing
  - Black

Handing Packaging: Handing Reversible Each

### Glass Preparation Details

Scale 1:3



T 01730 719 292  
E info@bellsure.co.uk  
W bellsure.co.uk

PRODUCT NAME: <b>Locking</b>	PART NO. <b>PL202</b>
DRAWING	

SCALE: 1:1 SHEET SIZE: A3 DRAWN BY: BK CHECKED BY: MJ DATE: 20/05/13  
PROJECT NO. DRAWING NO.