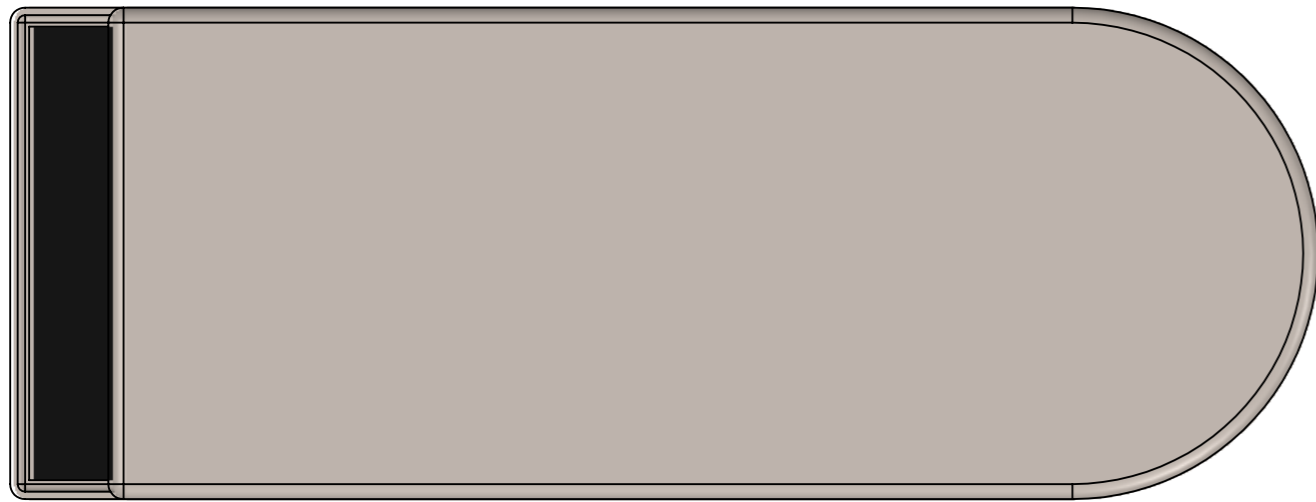


Product Specification Sheet

Locks | Primeline Strike Box



Sheet Notes

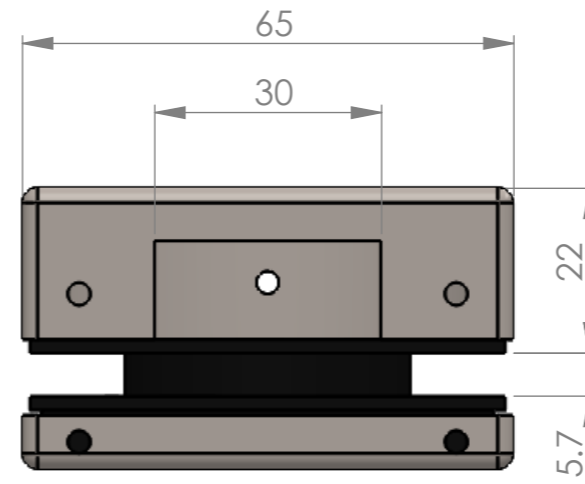
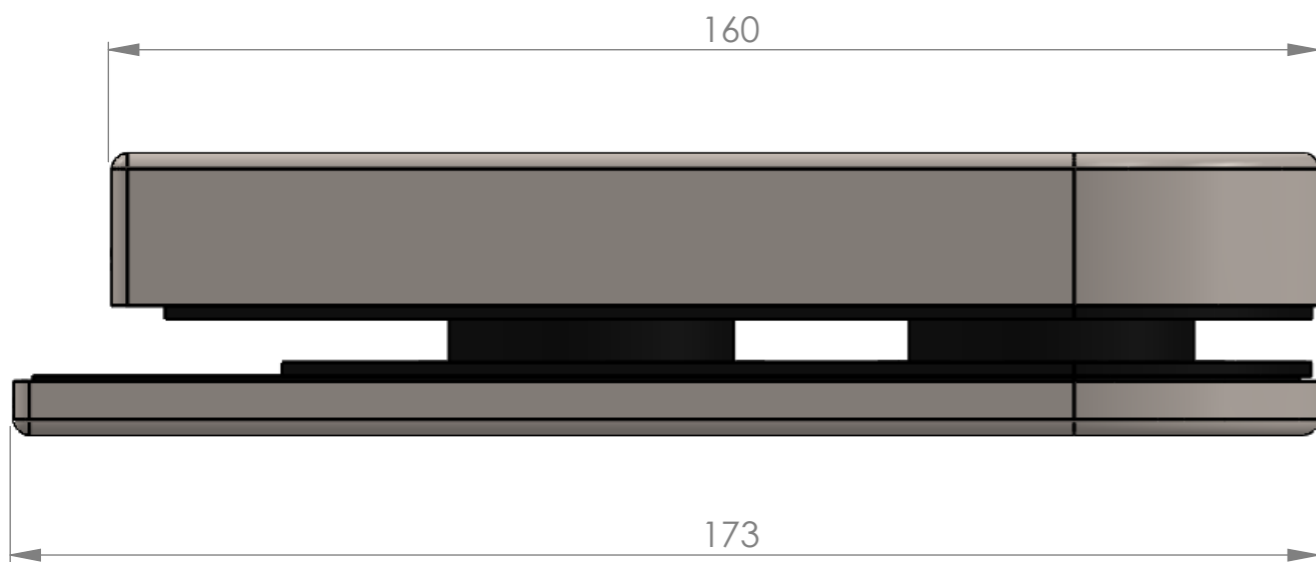
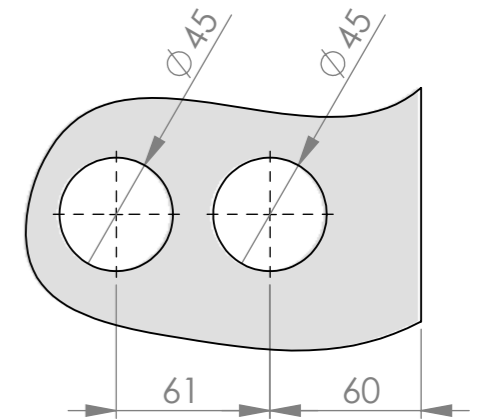
- All dimensions are in mm unless otherwise stated
- Any dimensions scaled from this drawing are taken at readers own risk

Product Key Features

- Material Finish:
- Brushed
 - Polished Stainless Steel
 - Black
- Handing Packaging: Handing Reversible Each

Glass Preparation Details

Scale 1:3



T 01730 719 292
E info@bellsure.co.uk
W bellsure.co.uk

PRODUCT NAME: Strike Box	PART NO. PL220
DRAWING	

SCALE: 1:1 SHEET SIZE: A3 DRAWN BY: BK CHECKED BY: MJ DATE: 20/05/13
PROJECT NO. DRAWING NO.