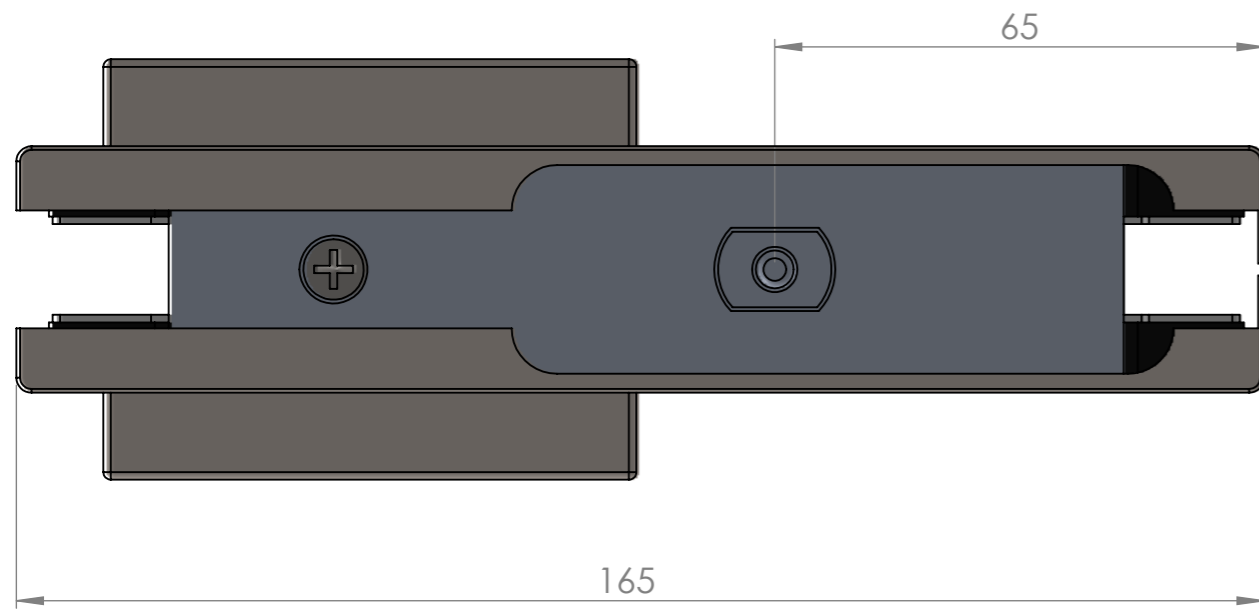


Product Specification Sheet

Locks | Primeline Corner Lock



Sheet Notes

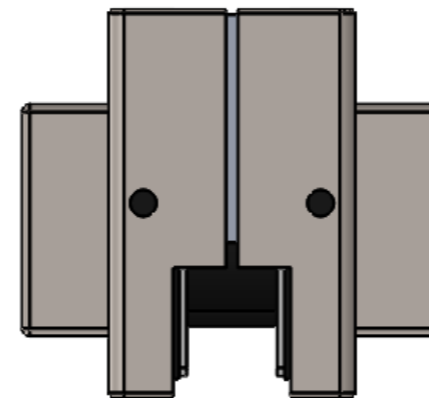
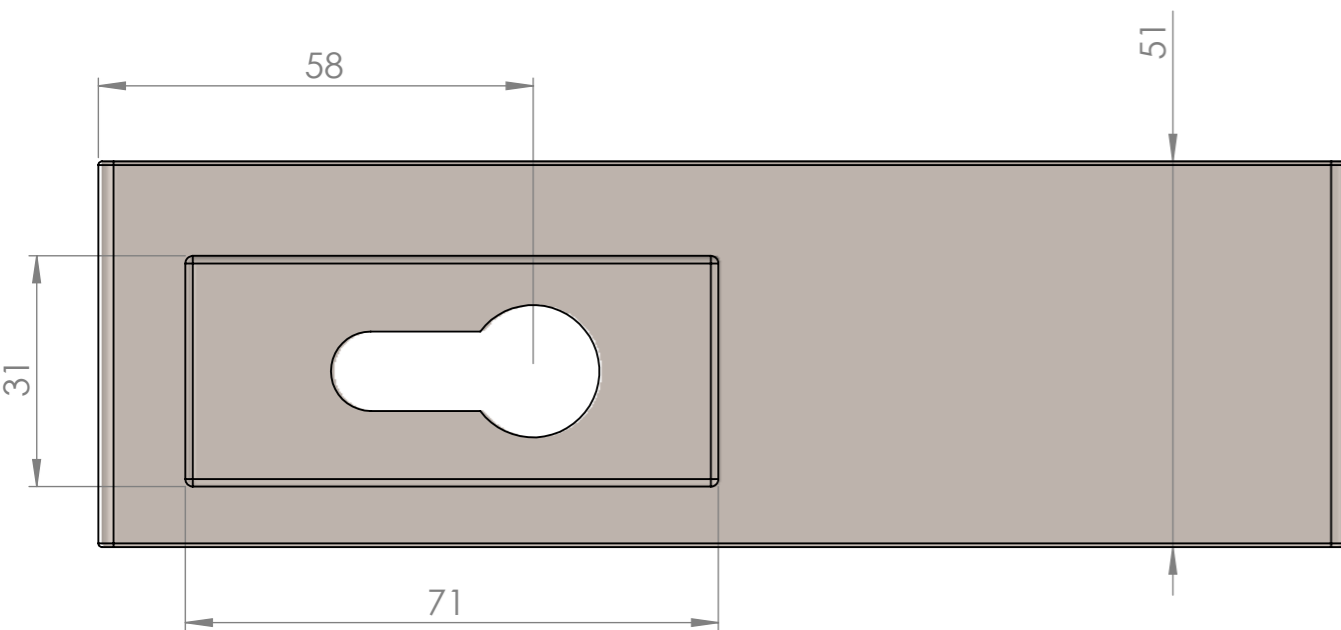
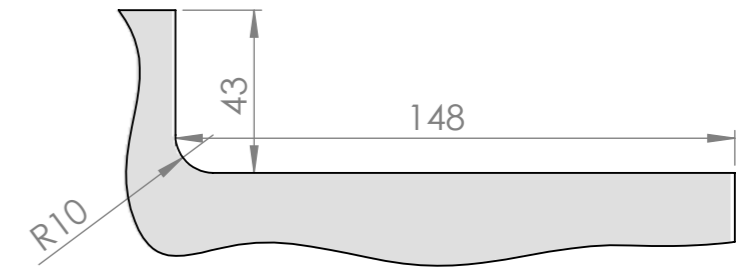
- All dimensions are in mm unless otherwise stated
- Any dimensions scaled from this drawing are taken at readers own risk

Product Key Features

- Material Finish:
- Brushed Stainless Steel
 - Polished Stainless Steel
 - Black
- Handing: Non Handed
Packaging: Each

Glass Preparation Details

Scale 1:2



T 01730 719 292
E info@bellsure.co.uk
W bellsure.co.uk

| | |
|-------------------------------------|--------------------------|
| PRODUCT NAME: Corner Lock | PART NO. USP10 |
| DRAWING | |

SCALE: 1:1 SHEET SIZE: A3 DRAWN BY: BK CHECKED BY: MJ DATE: 20/05/13
PROJECT NO. DRAWING NO.