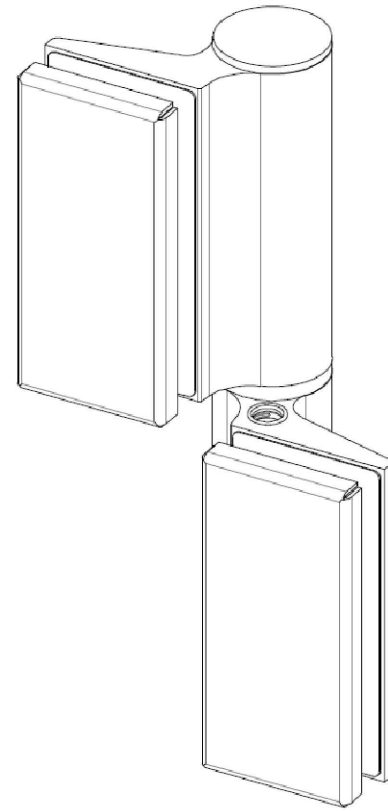
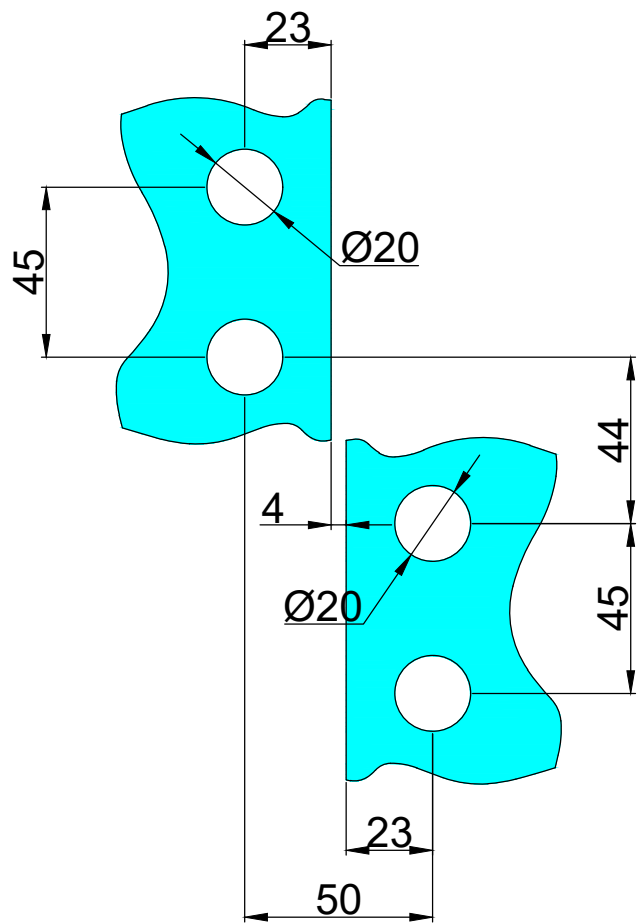


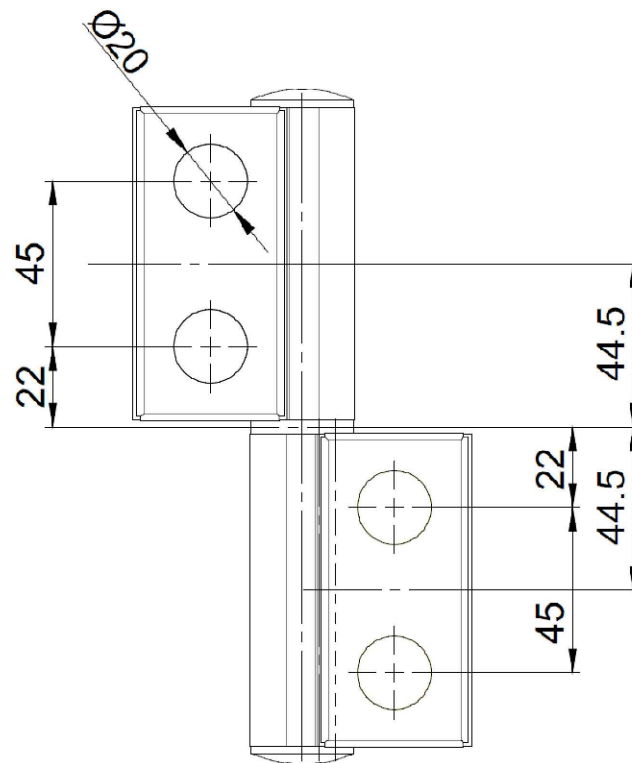
MAIN LAYOUT



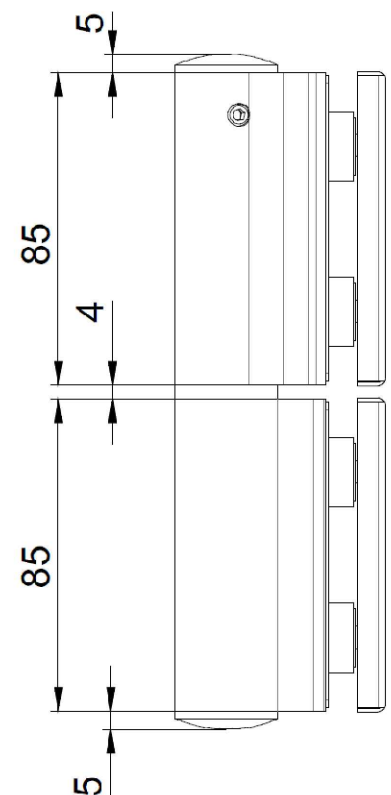
ISOMETRIC VIEW



Glass Thickness: 8 - 21.5mm  
GLASS PREPARATION DETAIL



FRONT ELEVATION



SIDE ELEVATION

- All dimensions are in mm unless otherwise stated
- Any dimensions scaled from this drawing are taken at reader's own risk
- When using a Dummy hinge, please ensure it is installed at the top of the door
- Material Finish: Brushed Stainless Steel or Black
- Max Door Weight:
  - Hydro & Dummy = 100kg
  - Hydro x 2 = 120kg
- Max Door Width:
  - Hydro & Dummy = 1000mm
  - Hydro x 2 = 1200mm



T: 01730 719 292  
E: vistateam@bellsure.co.uk  
W: bellsure.co.uk

PRODUCT NAME. <b>EVO Hinge</b> <b>Glass to Glass</b>	PART NO.
DRAWING	