



# Primeline Product Handbook

Dynamic Glass Components

v.01



# Your Specialist Architectural Supply Chain Partner

With a strong background in the construction industry, Bellsure began its journey as an architectural ironmongery expert. You'll find the same today, only our products and services have expanded to meet the needs of our diverse client base, including main contractors, office fit-out companies and retail shopfront specialists.

We have a very practical, straight-forward and customer-focused approach, working with a range of people on each project, from architects and designers to commercial and site teams.

Supporting you from concept to completion



## Advise

We pride ourselves on having the in-depth knowledge you need. Our customers come back to us time and again because they trust the advice we give. Bellsure are already a trusted adviser and an established supplier to thousands of contractors.

## Inform

Access our specialist technical skills and supply chain in a range or architectural hardware fields. We have specialists in doorset scheduling, automatic doors, architectural ironmongery, glass partitioning and shop facades, glass balustrades, street furniture, cycle storage and car parking solutions.

## Design

We work closely with our customers to make sure that your design is the best that it can be - fantastic looks, compliance, functionality and space saving are all considerations that we discuss with you during the planning and design process. For architects and contractors, we supply free CAD drawings as part of our friendly, efficient service. We work closely with our customers to ensure that your design is the best that it can be. **Glass cut outs are also available to download on our website, [bellsure.co.uk](http://bellsure.co.uk)**

- Call our team on **01730 719 292** today for more information about our ranges.



# Our accreditations

Pre-qualified, quality assured, health and safety accredited for your peace of mind.



ISO 9001:2008  
CERTIFIED



ISO 14001:2004  
CERTIFIED



• Call our team on **01730 719 292** today for more information about our ranges.



# We're very accommodating

**When you've got a deadline to meet, we can deliver what you need, when you need it.**

At Vista, we always maintain stock, so that your order will be with you when you need it. With our 30-minute despatch service, delivery is usually within 2 hours in Central London! We stock fittings to cater for a wide range of glass thicknesses and cut door rails to size at our Central London warehouse.



**30-minute despatch**  
Same day delivery into London



What you need.  
When you need it.



• Call our team on **01730 719 292** today for more information about our ranges.



# Think Glass Think Vista

A PERFECT FIT



Our range of stylish, durable glass fittings are perfect for any modern commercial or residential project. Browse through our specially developed products to find the perfect fit...

10  
Vista Case Study

12  
The Primeline Range

28  
Door Controls  
Ancillary Products

38  
EVO Hinges

40  
Vista Case Study

• Call our team on **01730 719 292** today for more information about our ranges.



# A Case Study

## Informatica, Fusion Partitions

### The Project

One of our longstanding clients, Fusion Partitions, was chosen to provide the partitioning for a premium office refurbishment in the Republic of Ireland's Capital City. The Informatica EMEA Headquarters in Dublin required a space that was as modern and revolutionary as the company ethos.

Meeting rooms and break out spaces were strategically partitioned as a part of this office fit out project, using a contemporary selection of partitioning and door solutions, merging aesthetics with performance.

Vista stepped up to the mark when asked to supply advice and support on the fittings needed for this project. Our key objective is to specify the right products for your requirements and get them to you on time, every time.



### The Solution

Our Vista team acted as an extension of Fusion Partitions, providing customer service and support in the ordering and delivery of glazed partition fittings for their installation team.

A selection of Primeline offset fittings, drop seals and Dormakaba floor springs were selected for the project. Taking into account the premium finish required as an end result, products from our Primeline range were the obvious fit. Our durable and innovative range will stand the test of time for any solution.

For any advice on entrance & shop fittings, glazed partition fittings and balustrade systems, please email [vistateam@bellsure.co.uk](mailto:vistateam@bellsure.co.uk)

• Call our team on **01730 719 292** today for more information about our ranges.





“  
Our team  
will measure  
up to your  
expectations

peclisur.co.uk



# The Primeline Range

Our Primeline product range was created to maintain quality whilst providing a cost-effective solution to the interior fit-out market.

**Primeline**<sup>™</sup>

• Call our team on **01730 719 292** today for more information about our ranges.





NB: All dimensions are in mm unless otherwise stated.

# Patch Fittings

Better materials for durability - Aluminium/Zinc alloys; LM6 Grade; Secret clip on covers; 304 Grade stainless cover; high-quality Rubberised Gasket. To suit 10mm and 12mm glass  
Finish: Polished and Satin Stainless Steel

**Bottom Patch**  
Ref: PL10SS

£28.00

- Maximum door weight: 100kg
- Maximum door width: 1100mm



Available in black



**Top Patch**  
Ref: PL20SS

£28.00

- Maximum door weight: 100kg
- Maximum door width: 1100mm



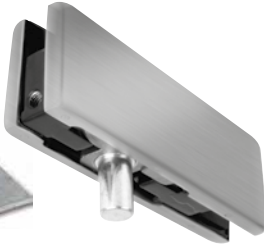
Available in black



**Overpanel Pivot Patch**  
Ref: PL30SS

£28.00

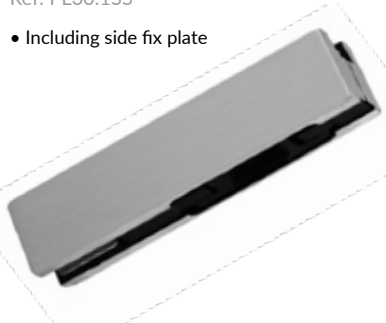
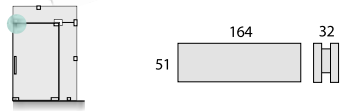
- Including side fix plate




**Overpanel Blank Patch**  
Ref: PL30.1SS

£28.00

- Including side fix plate

NB: All dimensions are in mm unless otherwise stated.


# Patch Fittings

Better materials for durability - Aluminium/Zinc alloys; LM6 Grade; secret clip on covers; 304 Grade stainless cover; high-quality Rubberised Gasket. To suit 10mm and 12mm glass  
Finish: Polished and Satin Stainless Steel

**Overpanel Stop Patch**  
Ref: PL30.2SS


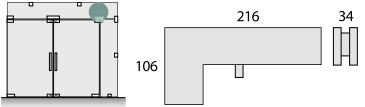
£30.00

- Including side fix plate





**Side/Overpanel Pivot Patch**  
Ref: PL40SS

£52.00

**Side/Overpanel Blank Patch**  
Ref: PL40.1SS

£52.00




**Double Overpanel Stop Patch**  
Ref: PL70SS

£52.00




**Side/Overpanel Stop Patch**  
Ref: PL40.2SS

£52.00







NB: All dimensions are in mm unless otherwise stated.

# Duo Offset Patches

Finish: Brushed Stainless Steel, 304 Grade  
Suits 10mm - 12mm glass thicknesses; to suit 44mm frame depth  
Door weights: 100kg max Door width: 1100mm max

£85.00

## Left-hand Offset Bottom Pivot

Ref: PL106SS



Available in black

£85.00

## Right-hand Offset Bottom Pivot

Ref: PL107SS



Available in black

£90.00

## Left-hand Offset Bottom Pivot

Ref: PL106EXTSS

- Extended to suit drop seal



Available in black

£90.00

## Right-hand Offset Bottom Pivot

Ref: PL107EXTSS

- Extended to suit drop seal



Available in black

£85.00

## Left-hand Offset Top Pivot

Ref: PL118SS



Available in black

£85.00

## Right-hand Offset Top Pivot

Ref: PL119SS

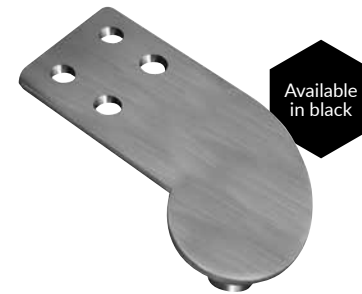


Available in black

£18.00

## Left-hand Offset Top Centre

Ref: PL152SS



Available in black

£18.00

## Right-hand Offset Top Centre

Ref: PL153SS



Available in black

NB: All dimensions are in mm unless otherwise stated.

# Duo Offset Patches

Finish: Brushed Stainless Steel, 304 Grade  
Suits 10mm - 12mm glass thicknesses; to suit 44mm frame depth  
Door weights: 100kg max Door width: 1100mm max

# Pivots & Hinges

NB: All dimensions are in mm unless otherwise stated.

## Offset Pivot Set

Ref: PL592RH Din Right  
Ref: PL593LH Din Left

£80.00 /set

- Free swing offset pivot set (top & bottom)
- Handed LH/RH
- Height adjustable
- To suit 10-12mm glass
- Brushed Stainless Steel
- Max door weight: 80kg



Available in black

## Hydraulic Hinge

Ref: PL806  
**Non-Hold Open**  
Ref: PL806NHO

£125.00 each

- To suit rebated frame
- Adjustable closing speed
- Max door weight: 100kg
- Max door width: 1000mm

Ref: PL806D (£96.00)  
'Dummy Hinge' - max door width: 750mm



Available in black

## Lift-Off Glass Hinges

Ref: PL101R Din Right  
Ref: PL101L Din Left

£45.00 each

- Brushed Stainless Steel finish
- To suit 10-12mm glass
- Max door weight: 60kg - 3 hinges supplied with machine screws & wood screws



Available in black

## Hinge

Ref: PL1310

£33.00 each

- Side hung hinge
- To suit rebated frame
- Brushed Stainless Steel finish
- Max door weight: 60kg per pair



Available in black

NB: All dimensions are in mm unless otherwise stated.

# Locks & Strikes

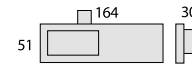
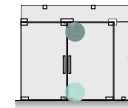
**Better Materials For Durability** - Aluminium/Zinc alloys; LM6 Grade; no breakage; 304 Grade stainless secret clip on covers; high-quality Rubberised Gasket

**Finish:** Polished and Satin Stainless Steel

## Corner Patch Lock

Ref: USP10SS

£48.00

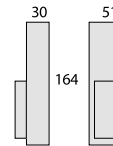
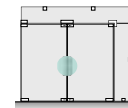


Available in black

## Centre Patch Lock

Ref: USP20SS

£48.00

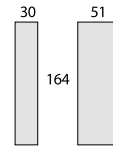
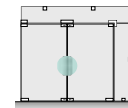


Available in black

## Centre Strike

Ref: GKP50SS

£36.00



Available in black



NB: All dimensions are in mm unless otherwise stated.

# Locks & Strikes

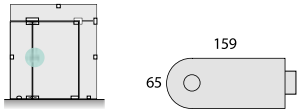
Better materials for durability - Aluminium alloys; LM6 Grade; Zinc alloys; Zamak 5 Grade  
Stainless Steel; 304 Grade; high-quality Rubberised Gasket; no breakage; better flexibility  
Water - oil resistant, rubberised for better grip

£48.00

## Latch

Ref: PL200

- Stainless Steel covers
- Suits 10-12mm glass thickness

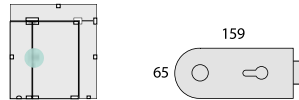


£58.00

## Locking Latch

Ref: PL202

- Stainless Steel covers
  - Suits 10-12mm glass thickness
- Note: Accepts Europrofile Cylinder

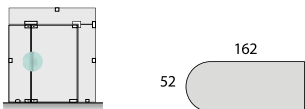


£50.00

## Strike Box

Ref: PL220

Available in black



£18.00

## Return To Door Lever Handle

Ref: 10.301.700PL

- Many other styles available
- 19mm tube diameter



NB: All dimensions are in mm unless otherwise stated.

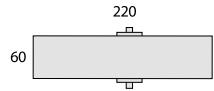
# Overhead Door Closers

Option of bolt through or retrofit with saddle bracket

## Overhead Door Closer

Ref: TS3204SEBT

- Power adjustable EN 1-4
- Adjustable closing & latching speeds
- Hold open arm option available
- Silver grey finish

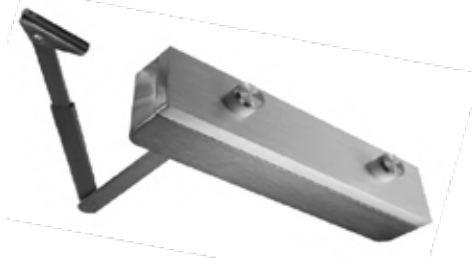
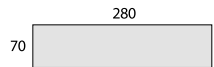


£95.00

## Overhead Door Closer

Ref: TS9205SSBT

- Power adjustable EN 2-5
- Adjustable closing & latching speeds
- Hold open arm option available
- Satin Stainless Steel finish

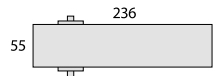


£140.00

## Overhead Door Closer

Ref: TS9205SE

- Power adjustable EN 2-5
- Adjustable closing & latching speeds
- Hold open arm option available
- Silver Grey finish
- 10mm glass only



£140.00

NB: All dimensions are in mm unless otherwise stated.

# Sliding Door Systems

Door weight: 120kg max Stock length: 5000mm

Cut to size length available

Available in Powder-coated Grey, White or Anodised Aluminium

## Sliding Track Satin Anodised

Ref: PL120T

- Endcaps available



£22.00/m

## Accessory Pack

Ref: PL120AP

- 2 No. Sliding Rollers - Max weight: 120kg
- 2 No. door stops
- 1 No. adjustable floor guide
- To suit 10mm-12mm glass

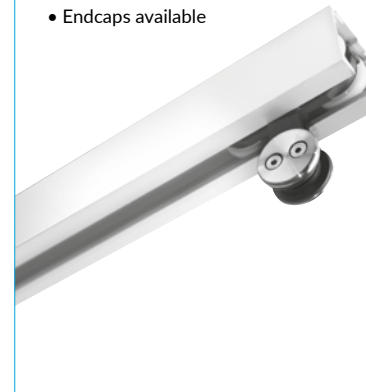


£98.00

## Sliding Track White

Ref: PL120T9010

- RAL9010 30% Gloss
- Endcaps available

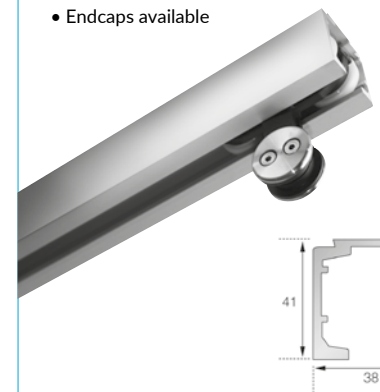


£30.00/m

## Sliding Track Grey

Ref: PL120T9006

- RAL9006 30% Gloss
- Endcaps available



£30.00/m

NB: All dimensions are in mm unless otherwise stated.

# Sliding Door Systems

Option of bolt through or retrofit with saddle bracket

**Sliding Track Satin Anodised** £35.00/m  
 Ref: PL120SPTR

- With glazing pocket
- Endcaps available

**Sliding Track Grey** £44.00/m  
 Ref: PL120SPTR9006

- RAL9006 30% Gloss
- Endcaps available

**Infill Section** £14.00  
 Ref: PL120iF (£14.00)  
 Ref: PL120iF9006 (£18.00)  
 Ref: PL120iF9010 (£18.00)

Note: Endcaps available

**Sliding Track White** £44.00/m  
 Ref: PL120SPTR9010

- RAL9010 30% Gloss
- Endcaps available

NB: All dimensions are in mm unless otherwise stated.

# Glazing Channels

Finish options: 316 Grade Brushed Stainless Steel

**Glass Gasket** £0.28/m  
 10mm glass Ref: PL082G10 (£0.38/m)  
 12mm glass Ref: PL082G12 (£0.28/m)

Note: Endcaps available

**Infill Section** £4.60/3m  
 Ref: PL082/F

- Clip-in infill piece to suit door openings
- Available in RAL9006/9010

**U-Channel One Piece** £8.30/3m  
 Ref: PL082

- 1-Piece U-Channel
- Available in RAL9006/9010

**PL078 Base and PL079 Bead**  
 Ref: PL078 (£4.40/3m length)  
 Ref: PL079 (£7.30/3m length)

- 2 piece base channel
- Available in RAL9006/9010

NB: All dimensions are in mm unless otherwise stated.

# Dry Joints

3000mm lengths of dry glazing joints make partition glazing quick and mess free. No more silicone. A joint for every angle

**135° Corner** £7.90

10mm - Ref: 2248 (£7.90)  
12mm - Ref: 2249 (£7.90)



**90° Corner** £6.56

10mm - Ref: 2128 (£6.56)  
12mm - Ref: 2129 (£7.36)



**180° Inline** £6.38

10mm - Ref: 2105 (£6.38)  
12mm - Ref: 2106 (£6.60)



**90° 3-Way T** £10.98

10mm - Ref: 2200 (£10.98)  
12mm - Ref: 2201 (£11.96)



**90° Abutment** £6.90

10mm - Ref: 2178 (£6.90)  
12mm - Ref: 2179 (£7.36)



NB: All dimensions are in mm unless otherwise stated.

# Draught Seals

Excellent range to cover most applications From simple but effective draft excluders to acoustic dropdown seals

**Acoustic Door Seal** £50.00

Ref: QSP10BS - to suit 10mm glass  
Ref: QSP12BS - to suit 12mm glass

10mm: 930 (£50), 1030 (£52)  
12mm: 630 (£50), 730 (£50), 930 (£50), 1030 (£52)

- Other sizes available if required
- Drop down bulb seal
- To suit maximum door sizes of 930mm and 1030mm



**Bulb Seal** £96.00/roll

Ref: QS912

- 3M VHB tape suitable for all environments including showers. 12 metre roll



**Bottom Door Seal** £68.00

Ref: QS28B

930 (£68), 1030 (£68)

- Other sizes available if required
- Stick on bulb strip
- Self-levelling spring system
- To suit maximum door sizes of 930mm and 1030mm
- To suit 10mm and 12mm glass



**Fin Seal** £2200/3m

Ref: QS812

- 3M VHB Tape suitable for all environments including showers. 3 metre length



**Application Tool** £4.00

Ref: QSTOOL

- Application tool to suit 6 different glass thicknesses





We will support you with our technical expertise and product knowledge



# Door Controls and Ancillary

Take a look at our range of door control products to suit your glass project needs. Our ancillary products include pull handles, door stops, cylinders and keeps.

- Call our team on **01730 719 292** today for more information about our ranges.

NB: All dimensions are in mm unless otherwise stated.

# Door Controls

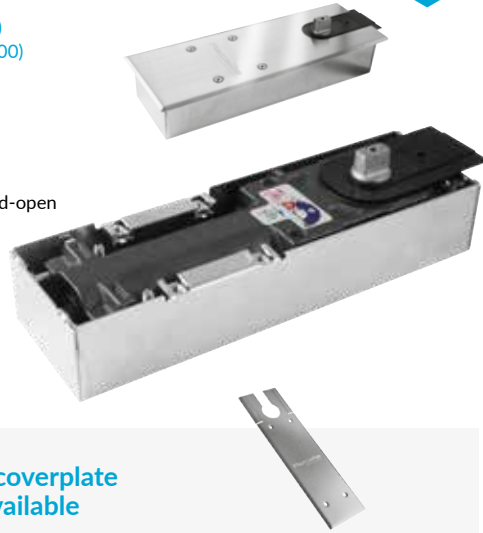
Hold-open/non hold-open options  
Adjustable/fixed power options  
Oversized cover plates available

## FS005

Ref: FS005HO - 90° hold-open (£98.00)  
Ref: FS005NHO - Non hold-open (£98.00)

- EN 1-4
- Max door width: 1100mm
- Max door weight: 150kg
- Adjustable closing force
- Adjustable latching speed
- Optional mechanical hold-open/non hold-open

Note: Spindle Extensions Available



£98.00

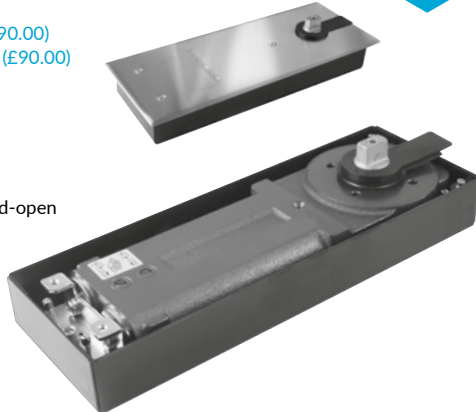
These products include a SS coverplate and spindle extensions are available

## FS003RSXP

Ref: FS003RSHOXP - 90° hold-open (£90.00)  
Ref: FS003RSNHXP - Non hold-open (£90.00)

- Fixed powersize EN3
- Max door weight: 120kg
- Adjustable closing speed
- Adjustable latching speed
- Fixed powersize EN3
- Optional mechanical hold-open/non hold-open

Note: Spindle Extensions Available



£90.00

NB: All dimensions are in mm unless otherwise stated.

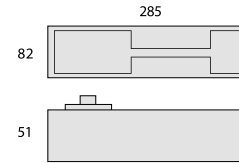
# Door Controls

Hold-open/non hold-open options  
Adjustable/fixed power options  
Oversized cover plates available

## BTS75V Floorspring Unit

Ref: YT5011.0107 - 90° hold-open  
Ref: BTS75VNHO - Non hold-open

- EN 1-4
- Max door width: 1100mm
- Max door weight: 120kg
- Adjustable closing force
- Adjustable latching speed
- Optional mechanical hold-open/non hold-open

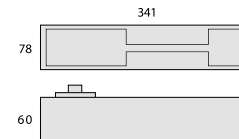


Get in touch

## BTS80

Ref: YT5011.02407 (EN 4)  
Ref: YT5011.02607 (EN 6)

- Fixed size EN4 or 6 - please specify
- Max door width: 1100mm
- Measuring 767mm and above
- Max door weight: 300kg
- Adjustable closing force
- Adjustable latching speed
- Optional mechanical hold-open/non hold-open



Get in touch





# Coffin Boxes

To suit all Dorma Floorspring for raised floor installations  
Oversize coverplates to suit available

NB: All dimensions are in mm unless otherwise stated.

**7516 - to suit BTS75** £22.00




**7517 - to suit BTS80** £26.00




**FS003CBX - to suit FS003** £19.00




**FS005CBX - to suit FS005** £19.00




NB: All dimensions are in mm unless otherwise stated.

# Door Controls



**Transom Closer** £117.00  
Ref: RTS85

- Transom concealed closer (EN 3/4/5)
- Max door width: 950mm (EN 3), 1100mm (EN 4), 1250mm (EN 5)
- 2 valve control of closing speed
- Mechanical backcheck/hold-open option
- Independently tested to EN 1154



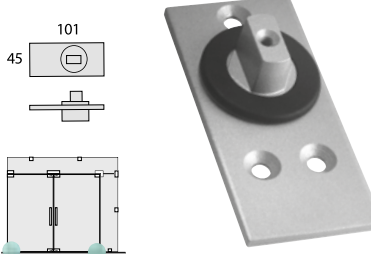
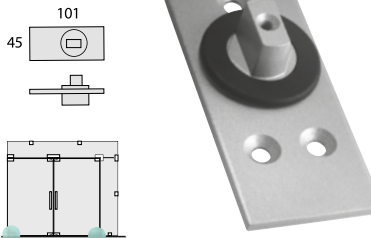

**Self Close Patch Fitting** £130.00  
Ref: PLM10SS

- No cut-outs required in floor
- Adjustable closing and latching speed
- 90° hold-open
- Max door weight: 100kg




**Floor Pivot** £17.00  
Ref: 04.602

- Floor bearing with DORMA profile spindles
- Spindle extension up to 20 mm on request
- Steel
- Max door weight: 200kg - Art No. 04.602

**Free Swing Pivot** £17.00  
Ref: PL4602

- 50mm x 72mm




NB: All dimensions are in mm unless otherwise stated.

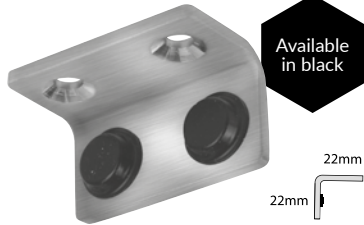
# Door Stops & Handles

316 Grade Stainless Steel  
304 Grade Satin Stainless Steel

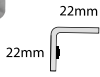
## Angle Head Stop

Ref: 2116AHS

£17.00



Available in black



## Floor Stop

Ref: XU6002.2107

£7.00

- Satin Stainless Steel finish
- Floor mounted c/w fittings



Available in black



## D Shaped Pull Handle - 19mm dia.

Ref: 10.501.1000.19ss  
1000mm Centres x 19mm Dia.  
Ref: 10.501.300hss  
300mm Centres x 19mm Dia.  
Ref: 10.501.600hss  
600mm Centres x 19mm Dia.

Get in touch

- Custom size made to order
- Prep: 13mm dia holes at the specified centres

Available in black

\*comes as a pair

## T Shaped Pull Handle - 19mm dia.

Ref: 10.501.1200.19ss  
1200mm o/a, 1000mm c/c  
Ref: 10.501.1000.19ss  
1000mm c/a, 800mm c/c  
Ref: 10.501.700.19ss  
700mm c/a, 600mm c/c  
Ref: 10.501.600.19ss  
600mm o/a, 500mm c/c

Get in touch

- Custom size made to order
- Prep: 13mm dia holes at the specified centres

\*comes as a pair

Available in black

## Manet Pull Handle - 25mm dia.

Ref: 10.720ss  
720mm, with 2 fixings at 520mm Centres  
Ref: 10.1240ss  
1240mm, with 3 fixings at 520mm Centres  
Ref: 10.1760ss  
1760mm, with 4 fixings at 520mm Centres

Get in touch

- Custom size made to order
- Prep: 13mm dia holes at the specified centres

\*comes as a pair

Available in black

NB: All dimensions are in mm unless otherwise stated.

# Ancillary Products

A range of quality accessories all designed to coordinate with your Primeline or fittings

## Euro Profile Cylinder and Turn

Ref: 10.601BKD

£12.00

- Satin chrome plated
- 5 Pin c/w keys
- 60mm overall

Available in black



## Keyed alike version available

Ref: 10.601KA

£18.00

Available in black

## Euro Profile Double Cylinder (keyed to differ)

Ref: 10.603KD

£14.00

Available in black

- Satin chrome plated
- 5 Pin c/w keys
- 60mm overall



## Keyed alike version available

Ref: 10.603KA

£20.00

Available in black

## Lock Keep

Ref: 05.190

£10.00

- 32mm x 94mm
- 15mm adjustable c/w fitting



## Fixed Top Centre

Ref: GP10

£10.00

- 15mm dia pivot with fixing plate material thickness 3mm



## Lock Keep

Ref: PL5193

£8.00



## Easy Clean Floor Socket

Ref: 05.195

£7.00



## Screw in Top Centre

Ref: GP20

£5.00





# Door Kits

316 Grade Stainless Steel  
304 Grade Satin Stainless Steel

NB: All dimensions are in mm unless otherwise stated.

**Standard Door Kit (Kit 1)**  
Ref: PLM10DS

Includes:

- Fixed Top Centre
- Top Patch
- Self Close Patch Fitting

GP10  
PL20SS  
PLM10SS

Get in touch

**Kit 2: Standard + 300mm D Handle**  
Ref: PLM10DS300D

Get in touch

**Kit 3: Standard + 600mm D Handle**  
Ref: PLM10DS600D

Get in touch

NB: All dimensions are in mm unless otherwise stated.

# Door Kits

A range of quality accessories all designed to coordinate with your Primeline or fittings



**Kit 4: Standard + 700mm Guardsman**  
Ref: PLM10DS700G

Get in touch

**Kit 5: Standard + 600mm Guardsman**  
Ref: PLM10DS600G

Get in touch

**Kit 6: Standard + Locking Latch and Strike Box**  
Ref: PLM10DS202

Get in touch

**Kit 7: Standard + Non-Locking Latch and Strike Box**  
Ref: PLM10DS200

Get in touch



# Introducing EVO hinge

## The NEW Hydraulic self-closing hinge

- Two adjustment screws, one for the latching speed and one for the closing speed, which gives you greater control over the closing action of the door
- Options for hold open at 90° or hold open at 180°
- Various finishes including Black, SSS and PSS (dependent on stock)
- Frame version can be used on profiles with a rebate depth between 30mm and 50mm
- Left hand and right hand options available
- To suit glass thickness 8-21.52mm
- For maximum door weights of 100kg or 120kg depending on application

## EVO Dummy Hinge

- EVO Dummy hinge, without closing mechanism and anti-wind brake
- Available for glass-to-frame applications and glass-to-glass
- Only to be used in conjunction with hydraulic self-closing hinges



Glass-to-frame



Glass-to-glass



Available in black

## EVO applications summary

### 2 X HYDRAULIC HINGES



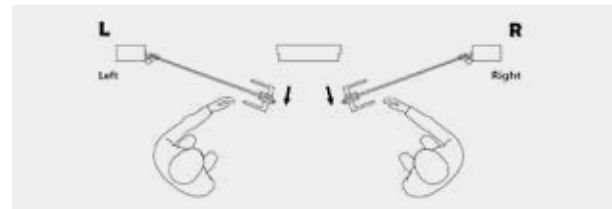
- 2 x EVO hydraulic hinge
- Available glass-to-frame and glass-to-glass
- Max door weight: 120kg
- T/s door widths from 800mm to 1200mm
- Glass thickness 8-21.52mm

### 1 X HYDRAULIC AND 1 X DUMMY



- 1 x EVO hydraulic hinge and 1 x EVO dummy hinge
- Available glass-to-frame and glass-to-glass
- Max door weight: 100kg
- T/s door widths from 600mm to 1000mm
- Glass thickness 8-21.52mm

## Handing diagram



## Hinge options

Glass to Frame	Glass to Glass
EVO Hinge 90° HO LH - 1.022.0E10.0LH.07	EVO Hinge 90° HO LH - 1.022.0E50.0LH.07
EVO Hinge 90° HO RH - 1.022.0E10.0RH.07	EVO Hinge 90° HO RH - 1.022.0E50.0RH.07
EVO Hinge 180° HO LH - 1.022.0E11.0LH.07	EVO Hinge 180° HO LH - 1.022.0E51.0LH.07
EVO Hinge 180° HO RH - 1.022.0E11.0RH.07	EVO Hinge 180° HO RH - 1.022.0E51.0RH.07
EVO Dummy Hinge LH - 1.022.SE10.0LH.07	EVO Dummy Hinge LH - 1.022.SE50.0LH.07
EVO Dummy Hinge RH - 1.022.SE10.0RH.07	EVO Dummy Hinge RH - 1.022.SE50.0RH.07

\*All product codes above are for SSS finish - please ask the team for other finishes.





# A Case Study

## Subsea 7, Planet Partitioning

### The Project

In Sutton City Centre, a revolutionary Head Office has been built showcasing a host of useful and engaging areas to serve visitors and staff. The Subsea 7 building resembles an underwater wonderland featuring interior colour schemes that replicate the different depths of the sea.

The design features structural supports created from underwater piping in their natural/coated state and different oceanic landscapes are incorporated into the layout with the use of exposed steel and concrete.

Meeting rooms, break out hubs and catering areas have been strategically positioned to increase employee engagement and interaction. Everything has been thought of, from bees on the roof to a multi-functional top of the range gym - the attention to detail is incredible. Planet Partitioning took on the 160 door project and fitted a range of door systems, glazed partitioning and balustrade creating a truly unique experience for everybody that enters the building.



The space creates a unique environment where everybody can see each other and communicate...the design and fit-out is perfect...we couldn't be happier

Georgina Molinaro, Subsea 7

### The Solution

Our Vista team acted as an extension of Planet Partitioning, providing customer service and support in the procurement and delivery of items needed on this project.

A selection of Primeline offset fittings, drop seals, Dormakaba floor springs, bespoke pull handles and floor stops were selected for the project. Taking into account the premium finish required as an end result, products from our Primeline range were the obvious fit. Our durable and innovative range will stand the test of time for both aesthetic and functional purposes.

**For any advice on entrance and shop fittings, glazed partition fittings and balustrade systems, please email [vistateam@bellsure.co.uk](mailto:vistateam@bellsure.co.uk)**

• Call our team on **01730 719 292** today for more information about our ranges.





# Express Service

Enjoy our 30-minute express collection service from our Barking Collection Point. Collect in 30 minutes or get it delivered to Central London - usually in less than two hours!

**Free Delivery on orders over £250**

Orders under £250 are £13.50 for delivery

**Next Day/Weekend Delivery Available**

P.O.A

Call us on **01730 719 292** or e-mail your order to **[sales@bellsure.co.uk](mailto:sales@bellsure.co.uk)**



30-minute despatch  
Same day delivery  
into London

• Call our team on **01730 719 292** today for more information about our ranges.



## Collect in 30 minutes

or get it delivered to  
Central London - usually  
in less than two hours!

Call us on **01730 719 292**  
or e-mail your order to  
**[sales@bellsure.co.uk](mailto:sales@bellsure.co.uk)**

