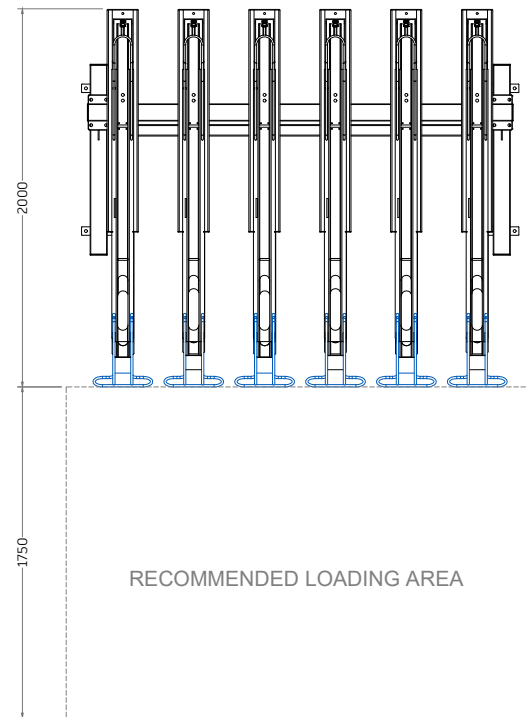
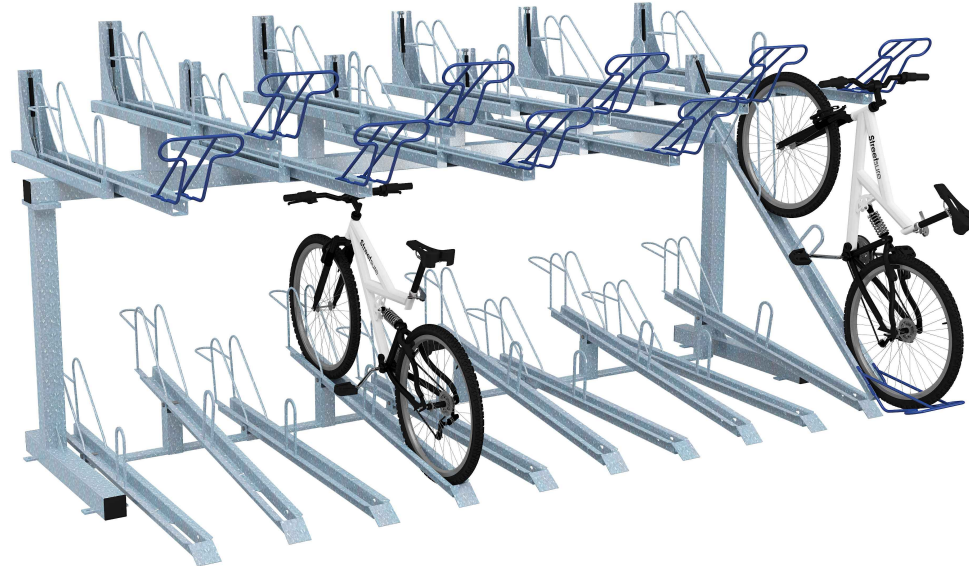


# Double Decker Premium Gas Assisted 375

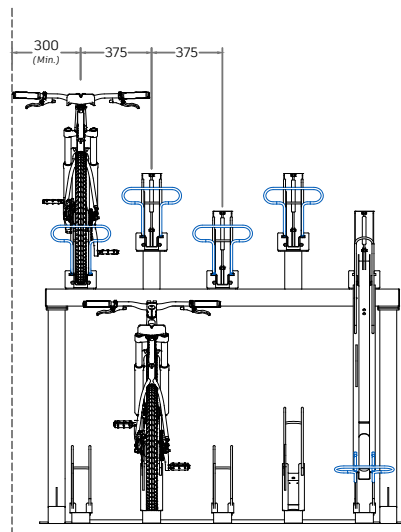
Top View



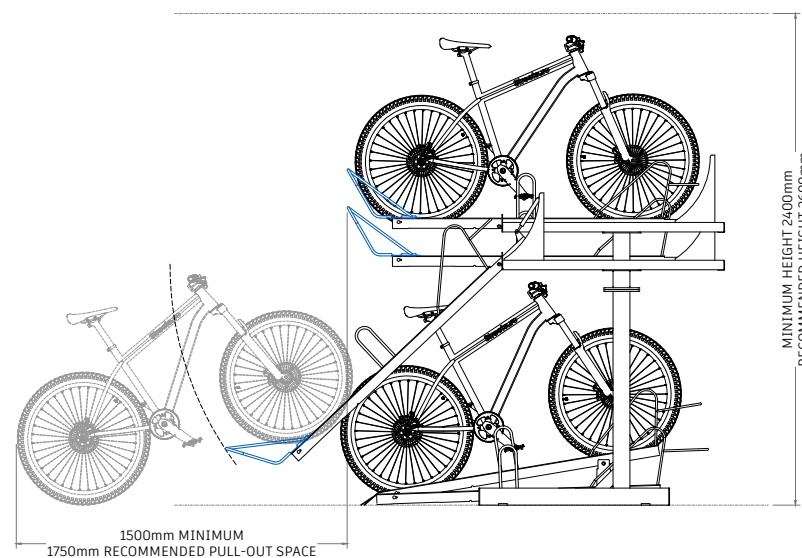
Perspective View



Front View



Right Side View



## Technical information

**Materials:** Mild Steel

**Standard Finish:** Galvanised to BS EN ISO 1461:2009

**Optional Finishes:** Powder-coating to support leg and frame

**Handle:** Plascoated RAL 5017

**Handle Options:** Plascoated to any standard RAL colour

**Configuration:** Single Sided

**Bike Capacity:** Bespoke to customer specification

**No. of Locking points:** 3 per space - front wheel, rear wheel and locking loop

**Fixing Options:** Surface Mounted

**Optional Extras:** Location identifiers, anti-tamper fixings, signage

**BREEAM:** Our products will assist with achieving BREEAM rating

**Product Warranty:** Two years

**Benefits:** Our premium two tier cycle rack has all of the durability of the double decker classic with some added extra user comforts. This includes an ergonomic Plascoat handle with a smooth coating perfect for cold weather, and an easy to use gas assisted top-tier mechanism to help lift heavier bikes.

**Minimum Height:** 2400mm

**Recommended Height:** 2600mm



Manufactured in the UK

PRODUCT NAME:

**Double Decker Premium Gas Assisted 375**

SCALE: 1:40	SHEET SIZE: A3	DRAWN BY: AA
----------------	-------------------	-----------------

CHECKED BY: BCB	DATE: 07/05/2021
-----------------	------------------

PRODUCT NO. : BSS-T-DDPRM-90-001

- All dimensions are in mm unless otherwise stated
- Any dimensions scaled from this drawing are taken at the reader's own risk



01730 719 292  
info@bellsure.co.uk  
bellsure.co.uk