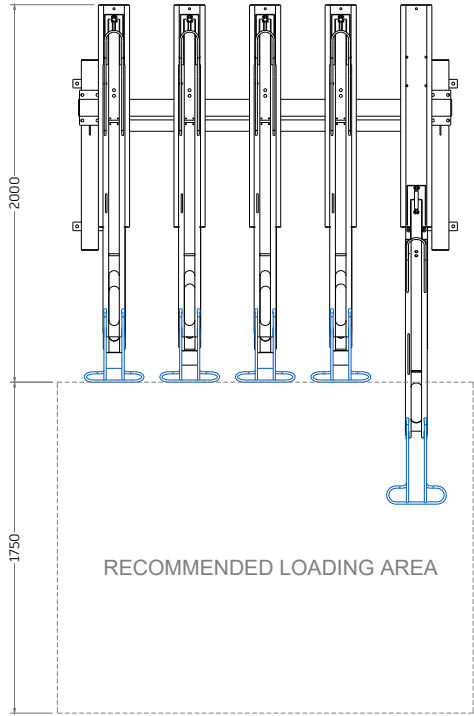
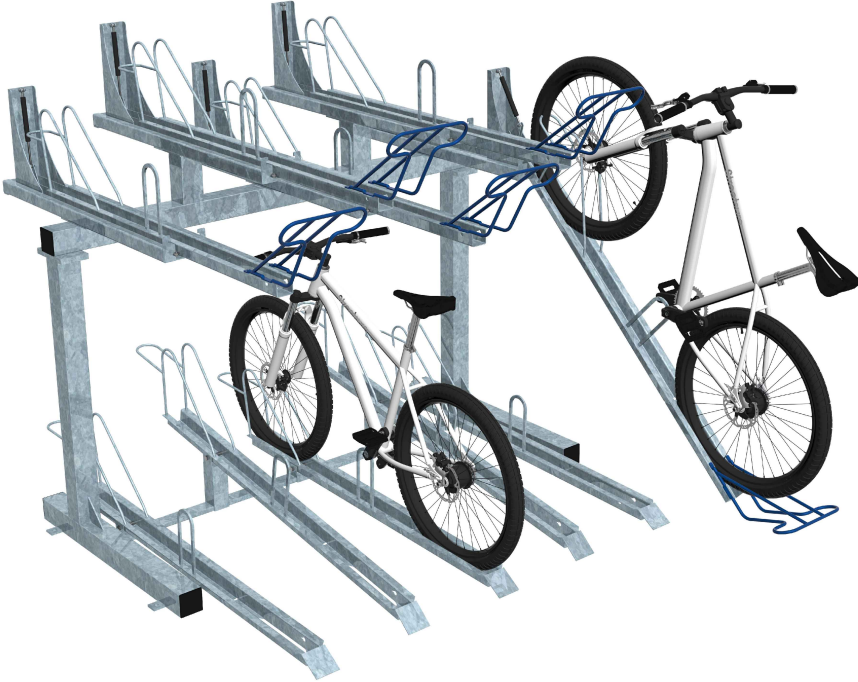


# Double Decker Premium Gas Assisted 400

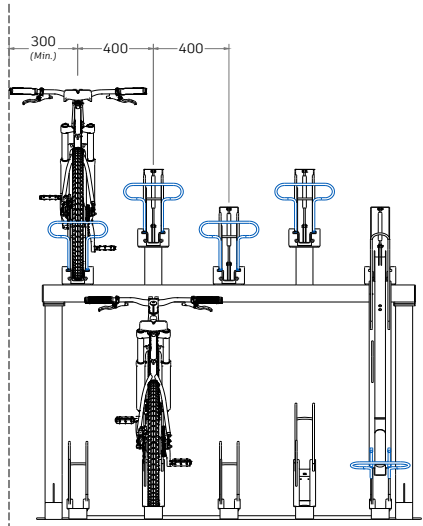
Top View



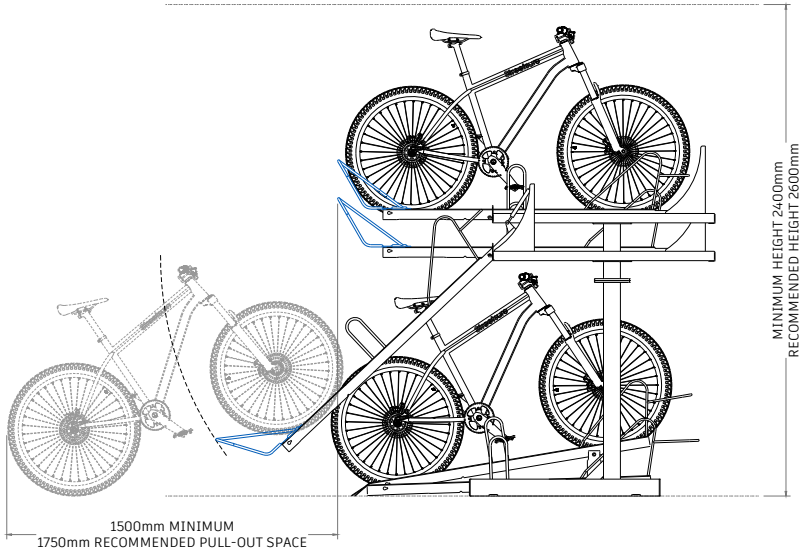
Perspective View



Front View



Right Side View



## Technical information

<b>Materials:</b>	Mild Steel
<b>Standard Finish:</b>	Galvanised to BS EN ISO 1461:2009
<b>Optional Finishes:</b>	Powder-coating to support leg and frame
<b>Handle:</b>	Plascoated RAL 5017
<b>Handle Options:</b>	Plascoated to any standard RAL colour
<b>Configuration:</b>	Single Sided
<b>Bike Capacity:</b>	Bespoke to customer specification
<b>No. of Locking points:</b>	3 per space - front wheel, rear wheel and locking loop
<b>Fixing Options:</b>	Surface Mounted
<b>Optional Extras:</b>	Location identifiers, anti-tamper fixings, signage
<b>BREEAM:</b>	Our products will assist with achieving BREEAM rating
<b>Product Warranty:</b>	Two years
<b>Benefits:</b>	Our premium two tier cycle rack has all of the durability of the double decker classic with some added extra user comforts. This includes an ergonomic Plascoat handle with a smooth coating perfect for cold weather, and an easy to use gas assisted top-tier mechanism to help lift heavier bikes.
<b>Minimum Height:</b>	2400mm
<b>Recommended Height:</b>	2600mm



Manufactured in the UK

PRODUCT NAME:  
**Double Decker Premium Gas Assisted 400**

SCALE: 1:40	SHEET SIZE: A3	DRAWN BY: AA
CHECKED BY: BCB	DATE: 25/01/2022	
PRODUCT NO. :		DDPM-400

- All dimensions are in mm unless otherwise stated
- Any dimensions scaled from this drawing are taken at the reader's own risk



01730 719 292  
info@bellsure.co.uk  
bellsure.co.uk