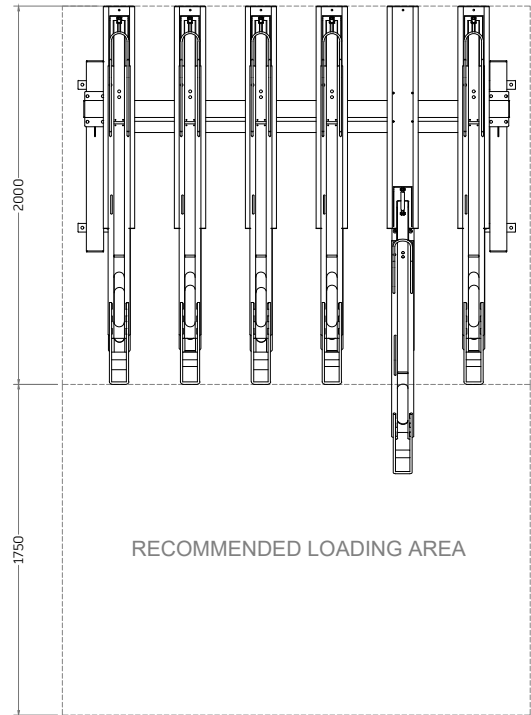


Double Decker Plus Gas Assisted 375

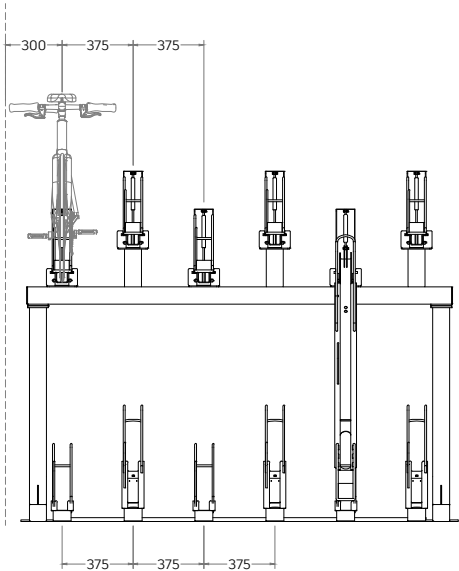
Top View



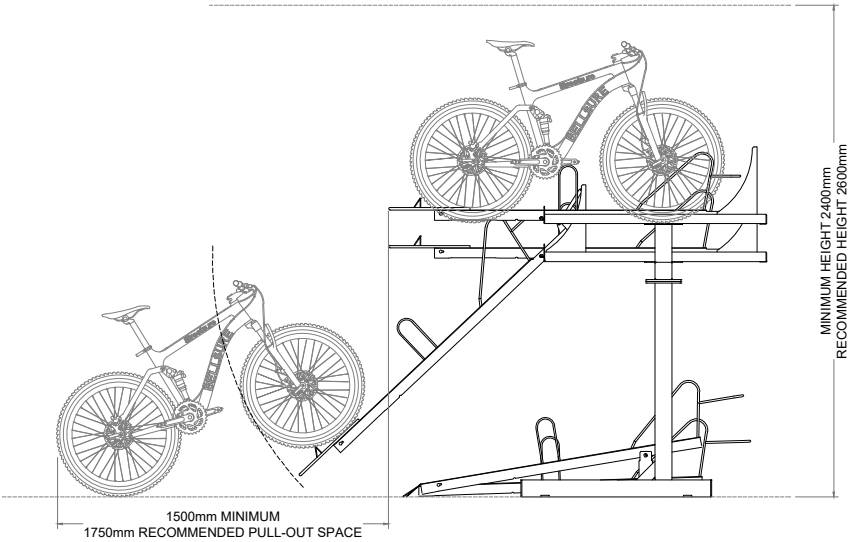
Perspective View



Front View



Right Side View



Technical information

- Materials:** Mild Steel
- Standard Finish:** Galvanised to BS EN ISO 1461:2009
- Optional Finishes:** Powder-coating to support leg and frame
- Handle Options:** Plascoated to any standard RAL colour
- Configuration:** Single Sided
- Bike Capacity:** Bespoke to customer specification
- No. of Locking points:** 3 per space - front wheel, rear wheel and locking loop
- Fixing Options:** Surface Mounted
- Optional Extras:** Location identifiers, anti-tamper fixings, signage
- BREEAM:** Our products will assist with achieving BREEAM rating
- Product Warranty:** Two years
- Minimum Height:** 2400mm
- Recommended Height:** 2600mm
- Benefits:** This British made two-tier rack is built to last, it requires minimal maintenance and can be space planned to fit a variety of unique locations. It's easy to use with an addition of gas assisted top-tier mechanism to help lift heavier bikes.

PRODUCT NAME:

Double Decker Plus Gas Assisted 375

SCALE: 1:40	SHEET SIZE: A3	DRAWN BY: AA
CHECKED BY: BCB	DATE: 02/08/2022	
PRODUCT NO. :		DDPL375

- All dimensions are in mm unless otherwise stated
- Any dimensions scaled from this drawing are taken at the reader's own risk



01730 719 292
info@bellsure.co.uk
bellsure.co.uk