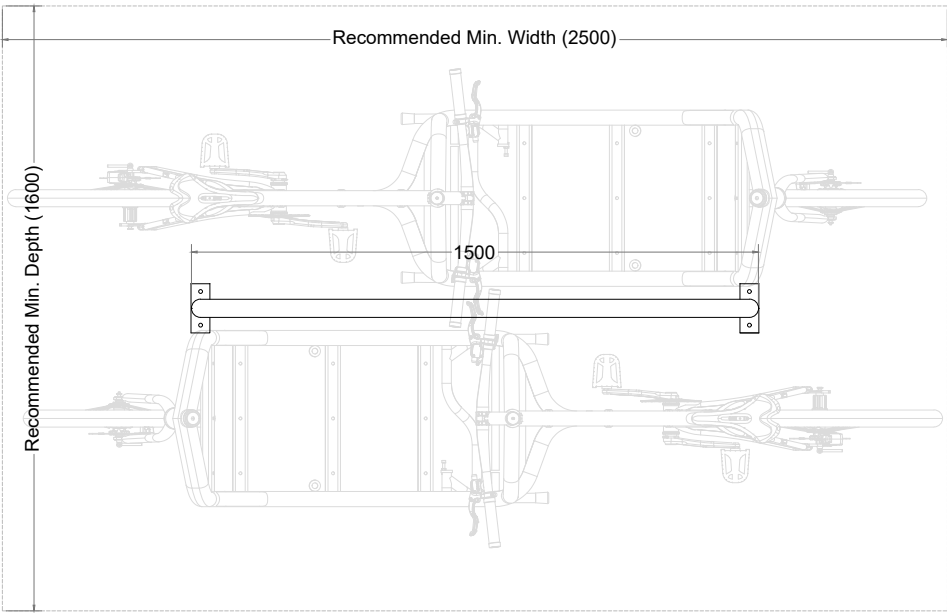
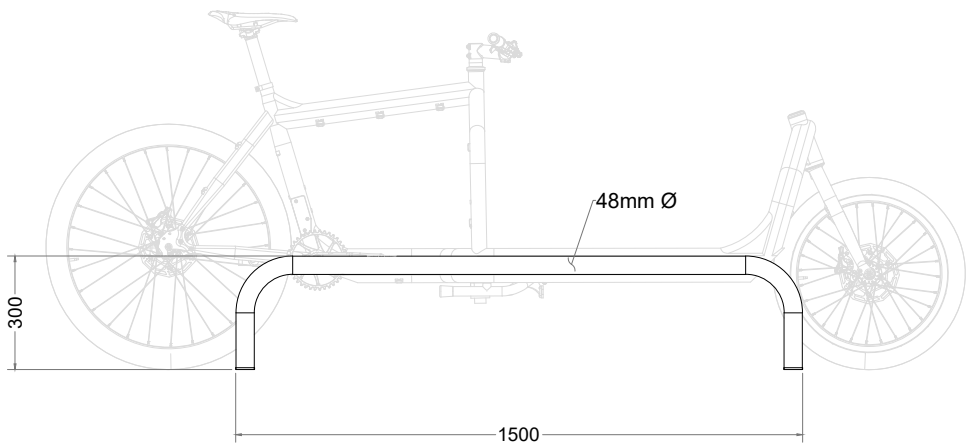


Citihoop Cargo Bike Stand

Top View



Front View



Perspective View



Technical information

- Materials:** Mild Steel
- Standard Finish:** Galvanised to BS EN ISO 1461:2009
- Optional Finishes:** Powder-coating in any standard RAL colour
Stainless Steel Grade 304 or 316
- Bike Capacity:** 2No. Bike
- Fixing Options:** Surface Mounted
- Optional Extras:** Location identifiers, signage
- BREEAM:** Our products will assist with achieving BREEAM rating
- Product Warranty:** Two years



Manufactured in the UK

PRODUCT NAME:

Citihoop Cargo Bike Stand

SCALE: NTS	SHEET SIZE: A3	DRAWN BY: AA
CHECKED BY: KD	DATE: 20/04/2022	
PRODUCT NO. :		SS-CHC

- All dimensions are in mm unless otherwise stated
- Any dimensions scaled from this drawing are taken at the reader's own risk



01730 719 292
info@bellsure.co.uk
bellsure.co.uk