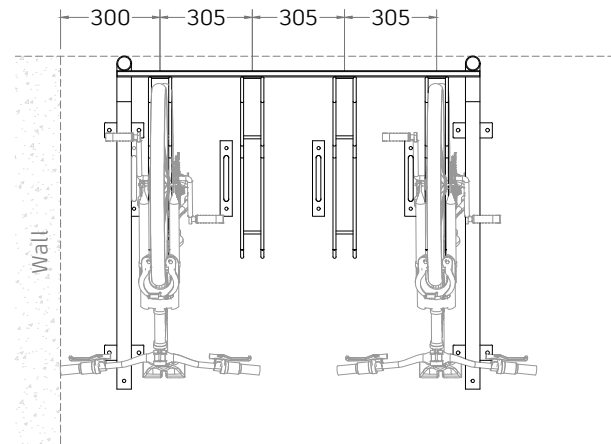


# Verti Apex Free Standing with Floor Mounted Locking Loop

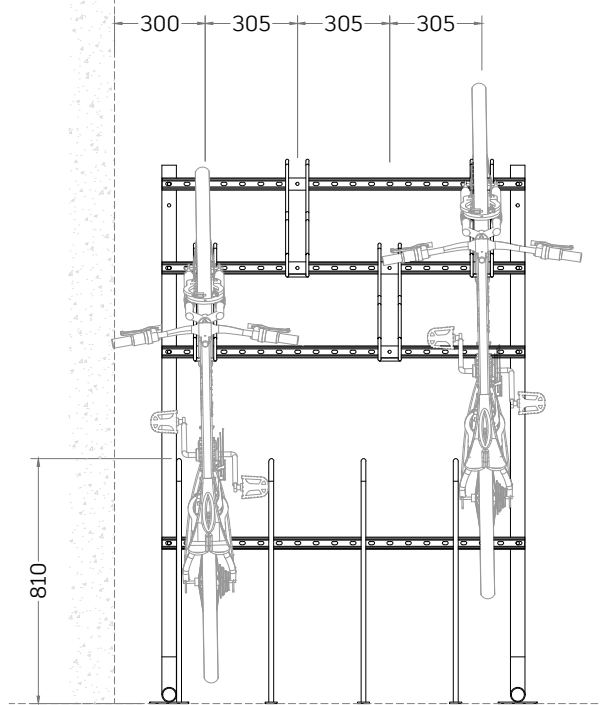
Top View



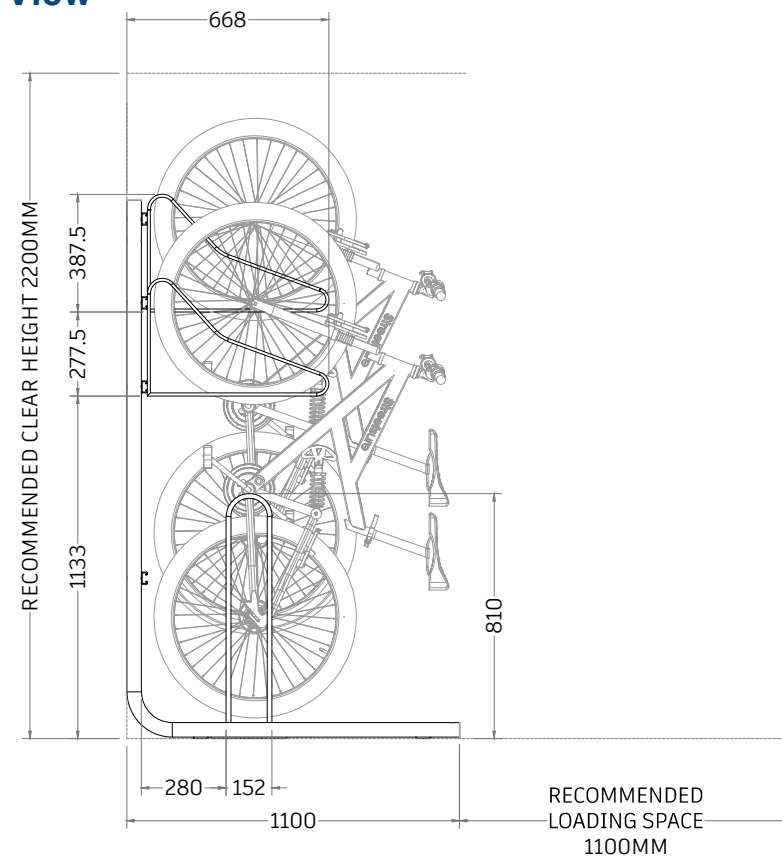
Perspective View



Front View



Side View



## Technical information

<b>Materials:</b>	Mild Steel
<b>Standard Finish:</b>	Galvanised to BS EN ISO 1461:2009
<b>Optional Finishes:</b>	Galvanised and Powder coated to standard RAL colour
<b>Configuration:</b>	Single Sided
<b>Bike Capacity:</b>	Bespoke to customer specification
<b>No. of Locking points:</b>	2 per space - front & rear wheel
<b>Fixing:</b>	Free Standing
<b>Optional Extras:</b>	Location identifiers, signage
<b>BREEAM:</b>	Our products will assist with achieving BREEAM rating
<b>Product Warranty:</b>	Two years
<b>Minimum Height:</b>	2100mm
<b>Recommended Height:</b>	2200mm
<b>Benefits:</b>	Verti Apex Freestanding is well suited to areas that require a floor-fixed solution with minimal loading space and additional floor mounted locking loop.



Manufactured in the UK

PRODUCT NAME:

## Verti Apex Free Standing with Floor Mounted Locking Loop

SCALE: 1 : 25	SHEET SIZE: A3	DRAWN BY: AA
CHECKED BY: KD	DATE: 08/08/2022	
PRODUCT NO. :		SS-VALL-FS

- All dimensions are in mm unless otherwise stated
- Any dimensions scaled from this drawing are taken at the reader's own risk



01730 719 292  
info@bellsure.co.uk  
bellsure.co.uk