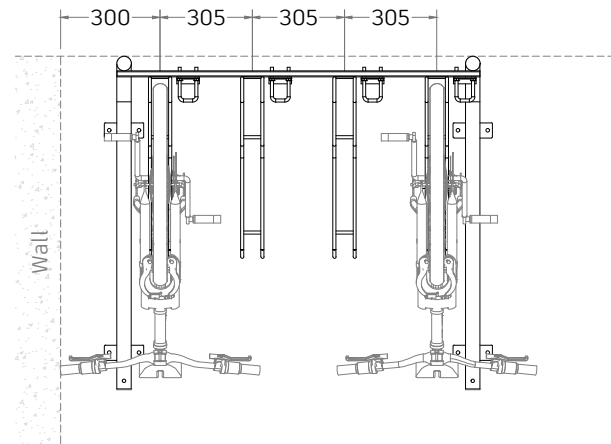


Verti Apex Free Standing with U-Bolt

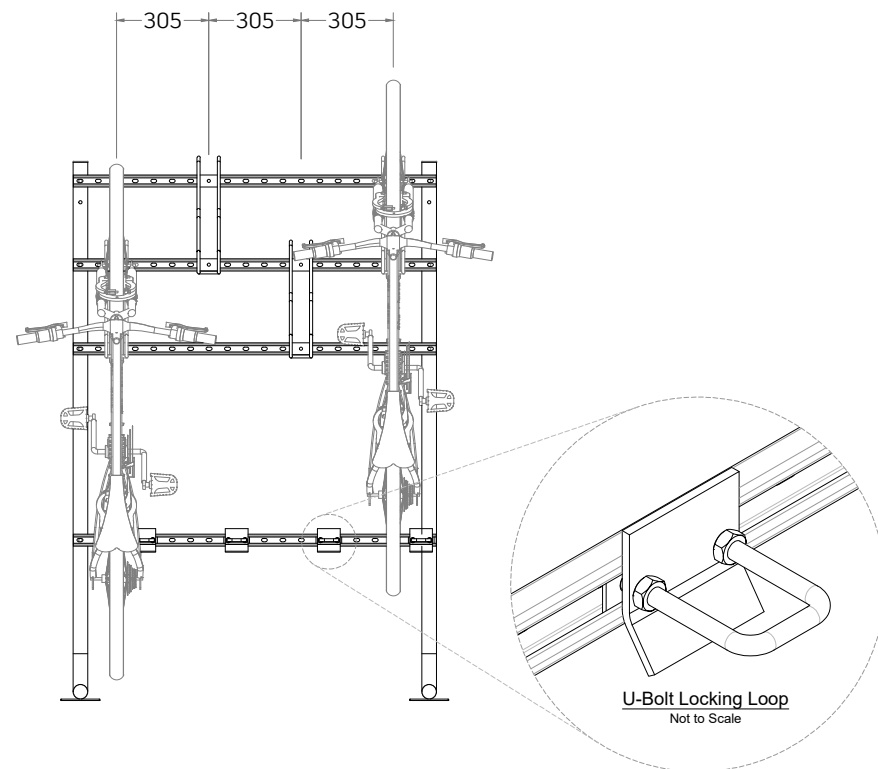
Top View



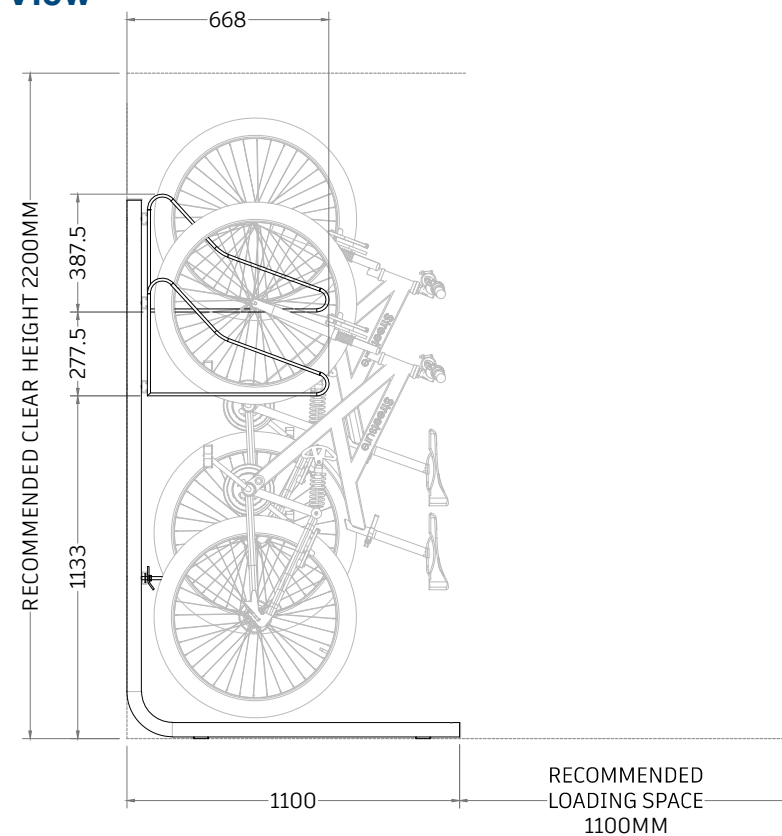
Perspective View



Front View



Side View



Technical information

Materials:	Mild Steel
Standard Finish:	Galvanised to BS EN ISO 1461:2009
Optional Finishes:	Galvanised and Powder coated to standard RAL colour
Configuration:	Single Sided
Bike Capacity:	Bespoke to customer specification
No. of Locking points:	2 per space - front & rear wheel
Fixing:	Free Standing
Optional Extras:	Location identifiers, signage
BREEAM:	Our products will assist with achieving BREEAM rating
Product Warranty:	Two years
Benefits:	—
Minimum Height:	2100mm
Recommended Height:	2200mm



Manufactured in the UK

PRODUCT NAME:

Verti Apex Free Standing with U-Bolt

SCALE: 1 : 25	SHEET SIZE: A3	DRAWN BY: AA
------------------	-------------------	-----------------

CHECKED BY: KD	DATE: 06/05/2022
----------------	------------------

PRODUCT NO. : —

- All dimensions are in mm unless otherwise stated
- Any dimensions scaled from this drawing are taken at the reader's own risk



01730 719 292
info@bellsure.co.uk
bellsure.co.uk