

# Amenity & Architectural Solutions

The 2023 Catalogue



Supporting you  
from concept to  
completion

## Your Specialist for Amenity & Architectural Solutions

### Advise

We pride ourselves on having the in-depth knowledge you need. Our customers come back to us time and again because they trust the advice we give. Bellsure are already a trusted adviser and an established supplier to thousands of contractors.

### Inform

Access our specialist technical skills and supply chain in a range of amenity and architectural solutions. We have specialists in doorset scheduling, architectural ironmongery, cycle storage, street furniture, shelters, compounds, mailbox and smart parcel management systems.

### Design

We work closely with our customers to make sure that your design is the best that it can be - fantastic looks, compliance, functionality, and space saving are all considerations that we discuss with you during the planning and design process. For architects and contractors, we supply free CAD drawings as part of our friendly, efficient service. We work closely with our customers to ensure that your design fits the customers aesthetic. Product .DWG's and specification sheets are also available to download on our websites, [bellsure.co.uk](http://bellsure.co.uk), [modulodoorsets.com](http://modulodoorsets.com) and [urbanrelay.co.uk](http://urbanrelay.co.uk)

Call our team on **01730 719 292** or [email us here](#) today for more information about amenity spaces and fire doors.



## Table of Contents

05	Our Amenity & Architectural Range
06	Bellsure Amenity Overview
07	Cycle Parking
12	Mapleton Crescent Case Study - Amenity
14	Cycle Shelters & Compounds
18	Street Furniture
22	Mailboxes
26	Bellsure Architectural Overview
28	Modulo Doorsets
34	Delivery Service
36	Installation Services



## Our Amenity & Architectural Range



The amenity side of Bellsure is about creating shared spaces that encourage meaningful interaction between people. Whether it's a lobby area with modern parcel management facilities, or an outdoor space with ergonomic street furniture and cycle storage, our products serve both design and functionality requirements.



The architectural side of Bellsure provides customers with quick to fit Q-Mark® certified Modulo fire doorsets from stock. With years of experience in the industry, our technical knowledge, expertise and ability to reduce lead times sets us apart from our competitors.





Bellsure provide amenity solutions in shared spaces for a range of contractors and stakeholders within the construction industry.

**Cycle Parking**

**Shelters & Compounds**

**Street Furniture**

**Mailboxes**

**Smart Parcel Management**

With an enhanced range of single and two-tier cycle racks and stands, premium shelters, mesh systems and lockable compounds, our team can provide bike storage that suits the comprehensive needs of the end user.

Our ranges include street furniture options - bins, benches and bollards. Additions to products can be made to make your project stand out from the crowd - green roofs, gas assisted cycle parking, powder coating and signage.

The team can also help with your projects mailbox and smart parcel management requirements, just ask the team for advice today.

The installation team are on hand to receive delivery, and install Bellsure products to an extremely high standard.

[FIND OUT MORE HERE](#)

# Cycle Parking

Bellsure will project manage all aspects from product delivery through to client sign off.

Our wide variety of cycle racks, stands and accessories will cover all aspects of the cycle parking requirements on your project. With compliance, health & safety and longevity being top of mind, you can ensure that your project is in safe hands.



## Our Accreditations

Pre-qualified, quality assured, health & safety accredited for your peace of mind.





### Double Decker Classic

Two tier cycle rack for increased space efficiency

Size: 375mm and 400mm centres available / size bespoke to requirements

Material: Mild Steel

Finish Options: Galvanised only or rails, legs & handles can be galvanised, ppc & plascoated

Fixing Options: Surface-mounted



### Single Decker

This rack can be provided in a single bottom tier

Size: 305mm, 375mm and 400mm centres available / size bespoke to requirements

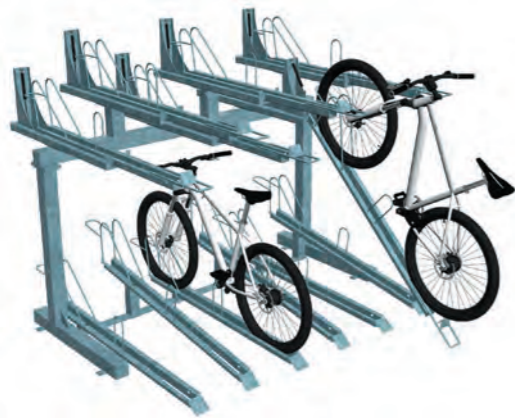
Material: Mild Steel

Finish Options: Galvanised only, or galvanised and powder coated

Fixing Options: Surface-mounted

Our products will assist with achieving BREEAM rating

BEST SELLER



### Double Decker Plus

Two tier gas assisted cycle rack with ergonomic handle and easy to lift top tier

Size: 375mm and 400mm centres available / size bespoke to requirements

Material: Mild Steel

Finish Options: Galvanised with plascoated handle, optional rails and legs can be galvanised & ppc

Fixing Options: Surface-mounted

# Vertical Cycle Parking

BEST SELLER



### Verti45

Semi vertical cycle stand for highly efficient use of space – channels can be laser cut with bespoke branding

Size: 305mm centres, size bespoke to requirements

Material: Mild Steel

Finish Options: Galvanised only, plascoated/powder coated



### DoubleDek Rax

This combines a Classic or Plus upper tier rack with our Citihoop Classic stands on the lower tier.

Size: 375mm and 400mm centres available / size bespoke to requirements

Material: Mild Steel

Finish Options: Galvanised with plascoated handle, optional rails, legs and Citihoop Classics can be galvanised & ppc, top tier can also be gas-assisted

Fixing Options: Surface-mounted



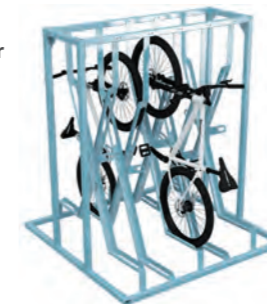
### Verti45 X-Rack

Double sided version of the Verti45, requires unloading space on either side of the stand

Size: 305mm centres, size bespoke to requirements

Material: Mild Steel

Finish Options: Galvanised only or plascoated



### Verti Apex

Free-standing or wall-mounted to a bespoke rack or the wall, each stand holds one vertical bike

Size: 305mm centres, 110mmW x 632mmD x 414mmH

Material: Mild Steel

Finish Options: Galvanised only or Galvanised plus powder coated, a second locking loop can also be added



## Let us help bring your products to life

Our expert planning and design service is available to you free of charge if you are an architect, developer or contractor.

Get in touch to discuss your requirements:

01730 719 292 | [info@bellsure.co.uk](mailto:info@bellsure.co.uk)

### Verti HangLok

Single space cycle stand to store the bike vertically, also available with a pivot for maneuverability

Size: 1490mm x 65mm

Material: Mild Steel

Finish Options: Galvanised only or Galvanised plus powdercoated



### Verti HookHang

A wall mounted product made up of two wheel supports and a locking point – a secure yet space efficient method of storing one bicycle

Material: Steel

Finish Options: Plascoated in Black, Blue or Light Grey



## Cycle Racks



### Citihoop Rax

The classic 'Sheffield-style' toast rack

Size: 800w x 750d x 48 ø

Material: Mild Steel

Finish Options: Galvanised only, Galvanised plus powdercoated or Stainless Steel



### Rax Compact

Sturdy multiple use cycle rack

Size: 920h x 717d x 50 ø

Material: Steel

Finish Options: Galvanised only or galvanised plus powder coated



### Citihoop Plus

An addition of a mid-rail to the typical hoop profile

Size: 750h x 750d x 48 ø

Material: Steel

Finish Options: Galvanised only, galvanised plus powder coated or stainless steel



### Citihoop Cargo

This unique stand fits two cargo bikes

Size: 1500w

Material: Steel

Finish Options: Galvanised only, galvanised plus powder coated or stainless steel



### Parkis

Single cycle stand with automated spring function for easy loading, accessories also available

Size: 172 x 29 x 17 cm (67.7 x 11.4 x 6.7 in)

Weight 8 kg (17 lb)

Weight on front axis up to 15 kg (33 lb)

Wheel diameter 61 cm (24") or more

Material: Galvanised and painted steel



## Cycle Stands



### Citihoop Classic

Our classic 'Sheffield-style' cycle stand

Size: 750w x 750/1100h x 48 ø

Material: Mild Steel

Finish Options: Galvanised only, galvanised plus powder coated or stainless steel

Fixing Options: Root-fix or surface-mounted

BEST SELLER



### Citihoop Arc

Modern style cycle stand, providing parking for two cycles

Size: 950 w x 1005h

Material: Mild Steel

Finish Options: Galvanised only, galvanised plus powder coated or stainless steel

Fixing Options: Root-fix or surface-mounted

## Cycle Accessories

We offer a range of accessories including repair stations, pumps and SBD ground anchors. Get in touch with the amenity team with your enquiries at [info@bellsure.co.uk](mailto:info@bellsure.co.uk)



cycle ramp



cycle repair stations and pumps



SBD ground anchor



motoanchor



cycle repair stations

# A Case Study Mapleton Crescent

## The Project

A well established contractor asked us to provide a range of products. Using the experience and knowledge of the Streetsure team, we offered a variety of products that suited the specific elements of the brief.

Our amenity team produced CAD and .dwg files for the client's BIM model. We also provided proposals for a selection of bespoke and standard cycle parking products, mesh panelling, lockers, benches, planters and mailboxes.

## The Solution

The Streetsure team secured the contract and project managed the supply of these products to budget and within an agreed timeframe.

We supplied Double Decker Cycle racks, space-planned strategically to maximise space efficiency, along with corner protectors to minimise potential damage when loading/unloading bicycles.

The client selected our '08 series' recessed mailboxes and requested a bespoke colour match. We applied an anomatch at the manufacturing facility and created a unique product, perfectly matched to the architect's specification.

Streetsure's secure lockers were supplied for a key fob access mail room. Bespoke Strata timber benches with steel legs and aluminium planters, powder coated in RAL 8028 were supplied for a resident only access rooftop location, creating a unique viewing experience over the London skyline.

Call our team on [01730 719 292](tel:01730719292) or [email us here](#) today for more information about our ranges.







# Shelters & Compounds

Send our technical experts your drawings, and we will help to space plan your shelter or lockable storage compound.

Safety and usability are key when it comes to storing belongings, whether that's bicycles or refuse. The Bellsure amenity team can deal with enquiries from the simple to the complex.



Call our team on 01730 719 292 or [email us here](#) today for more information about our ranges.

# Cycle Lockers



## LokBox Domestic

A concertina folding door provides easy access to this storage locker

Size: 1960w x 1350h x 890d

Material: PVC coated galvanised panels

Capacity: Suitable for up to three cycles

Finish Options: Cream, Anthracite Grey or Olive and Morland Green



## LokBox Horizontal

A hinged lockable door provides for simple straightforward access to this locker

Size: 900w x 1200h x 2000d

Material: Steel

Finish Options: Galvanised and powdercoated in Green RAL 6005, Ivory RAL 1015 and Anthracite Grey 7016

Capacity: Up to two cycles



## LokBox Verti

Vertical bike locker for 1 cycle

Size: 680w x 1822h x 1142d

Material: Steel

Finish Options: Galvanised and powder coated in Green RAL 6005, Ivory RAL 1015 and Anthracite Grey 7016



## LokBox Double

Two tier compartmentalised locker

Size: 800w x 2400h x 2000d

Material: Steel

Finish Options: Galvanised plus powder coated in any standard RAL colour



## LokBox Folding Bike Locker

A compact locker for foldable bikes with 1, 2 or 3 tiers

Size: Bespoke to requirements

Material: Steel

Finish Options: Galvanised plus powder coated in any standard RAL colour



# Cycle Shelters

## CuvaBrella

Our ever popular cycle shelter, available single or double sided for front entry or accessible from both sides

Size: Bespoke to requirements

Material: Mild steel framework and 3mm or 5mm PETG clear view sheeting

Finish Options: Galvanised, galvanised plus powder coated



## CuvaCanti

A stylish cantilever shelter, a simple yet effective solution for cycle parking cover

Size: Bespoke to requirements

Material: Mild steel framework and 3mm or 5mm PETG clear view sheeting

Finish Options: Galvanised, galvanised plus powder coated



## CuvaCurve

Our classic curved roof shelter, with optional side panels

Size: Bespoke to requirements

Material: Mild steel framework and 3mm or 5mm PETG clear view sheeting

Finish Options: Galvanised, galvanised plus powder coated





# Cycle Shelters



Made to measure custom sizes available

### CuvaArc

Durable outdoor flat roof shelter

Size: Bespoke to requirements

Material: Mild steel framework and 3mm or 5mm PETG clear view sheeting

Finish Options: Galvanised, galvanised plus powder coated



### CuvaSpan

Our popular outdoor flat roof shelter, designed to give further reaching protection to users

Size: Bespoke to requirements

Material: Mild steel framework with either a corrugated steel or polycarbonate roof

Finish Options: Galvanised, galvanised plus powder coated



### CuvaTour

Aesthetically pleasing cycle shelter with small bike detail in frame

Size: Bespoke to requirements

Material: Mild steel framework and 3mm or 5mm PETG clear view sheeting

Finish Options: Galvanised, galvanised plus powder coated



### CuvaNatural

A timber clad shelter, perfect for blending in with the natural environment

Size: Made to measure

Material: Steel / Timber

Finish Options: Galvanised frame only / galvanised plus powder coated frame to standard RAL colour



# Compounds



### CuvaMesh Modular System

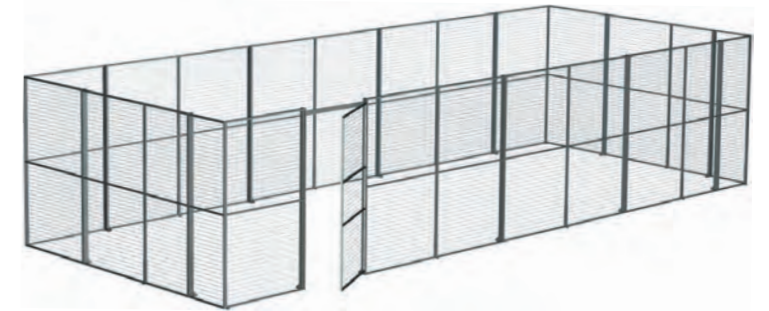
Modular mesh enclosure system, custom designed to your requirements

Size: Made to measure

Material: Steel

Finish Options: Galvanised or galvanised and powder coated

Module Options: Single or double doors and a variety of locking options. This modular system can be built floor to ceiling upto 3 metres high.



POWDER COATED MESH AVAILABLE



### CuvaCurve Compound

This steel compound is securely fit with plastic sheeting for maximum security, allowing natural light to flood the space. Available for single and two-tier cycle storage

Size: 50mm x 50mm strongbox square section construction to EN 10219:2006. 3mm Pet-g UV2 roof sheets, upgrade to 5mm available

Material: Mild steel framework and 3mm or 5mm PETG clear view sheeting

Finish Options: Galvanised finish as standard with the option of powder coating frame to a standard RAL colour

Module Options: Hinged or sliding gate with standard padlock keep as standard (other locking options available)



### CuvaModule Mesh Compound

Security is at the core of this product, made from highly durable materials, the CuvaModule Mesh Compound can be crafted to your bespoke specifications

Size: Made to measure

Material: Mild steel framework with a variety of mesh options

Finish Options: Galvanised frame only / galvanised plus powder coated frame to standard RAL colour



### CuvaModule Timber Compound

Modular timber-clad cycle compound

Size: Made to measure

Material: Steel / Timber

Finish Options: Galvanised frame only or powder coated frame



### Green Roof Shelter

Green roofs are available as an addition to most of our shelters and compounds, bringing biodiversity into the heart of the product itself. You can choose from a variety of options including wildflower or sedum.



# Waste Bins

Recycling and refuse collection are a vital part of any development. Our range of waste bins will help to subtly integrate this everyday necessity into the look and feel of your overall outdoor aesthetic.

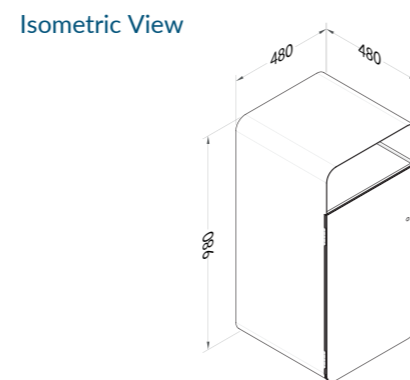
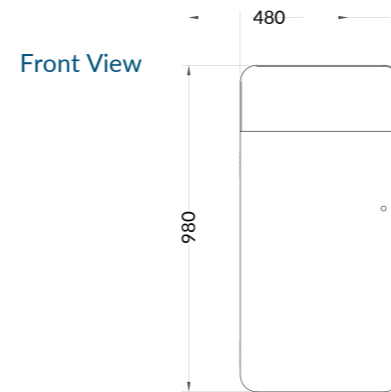


## Rax Steel Bin

A Versatile stainless steel bin for indoor and outdoor areas, available with a range of optional features

This surface-mounted bin holds 112 Litres, it is locked using a T-Key, and it is powder coated to a standard RAL finish, with optional features including – ashtray top, stubber, general waste artwork, and timber panels.

Dimensions: 480mm x 480mm x 980mm x 69kg



Call our team to discuss the full range

# Bollards

With a variety of bollard materials and shapes including steel, timber, flat top, mitred and reflective strips – we can provide a solution for you.



## StrataPost

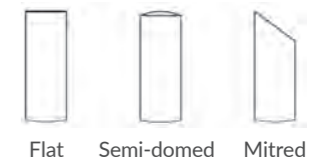
Our popular range of bollards is available in any mix of size, fixings and finishes

Style Options: Flat, semi-domed or mitred

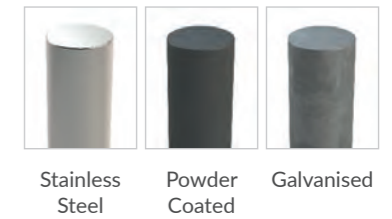
Size Options: 60, 90, 114, 139 diameter. We can also supply non-standard / larger sizes / diameters on request

Finish Options: Galvanised, Galvanised and Powder Coated, Stainless steel

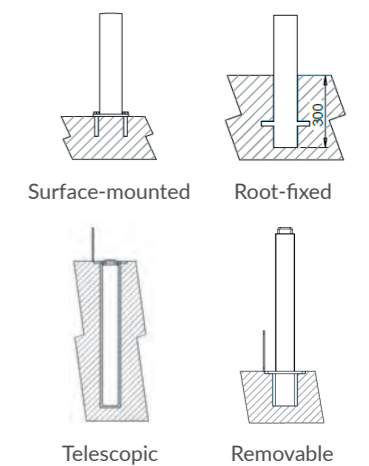
## Style Options



## Finish Options



## Fixing Options





Choose from a range of locking options including traditional cylinder locks to access control.

## Mailboxes

All of our mailboxes can be created to suit your projects bespoke colour scheme.



## Pushing the envelope With first class delivery

Secure your deliveries with our range of lockable mailboxes

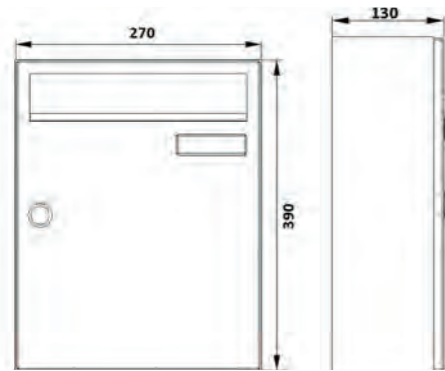
With over 25 years of experience supplying mailboxes to the construction industry, we know a thing or two about mailbox management. From functional, traditional mailboxes to the latest in access control technology we can provide a range of options to suit your requirements and budget.

Call our team on **01730 719 292** or [email us here](#) today to discuss your requirements

# Mailboxes

Bellsure provide a range of wall mounted, recessed and free standing mailbox solutions for apartments, student accommodation, offices and communal hubs.

All mailboxes: Available wall-mounted, recessed or free-standing

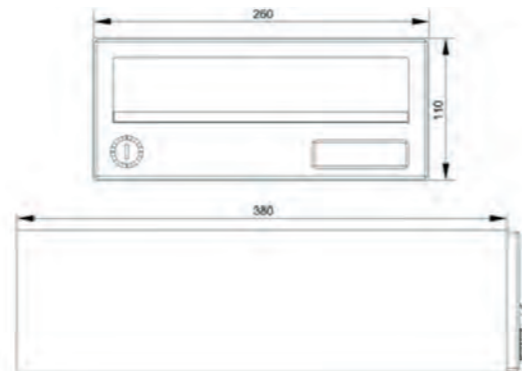


### Streetsure Vertical Mailbox

Our most popular vertical mailbox option, available in a variety of finish and locking options

Dimensions: 270x390x130

Name tapes included as standard, engraved nameplates and flaps are optional. Each mailbox comes with a lock and two keys.



### Streetsure Horizontal 260 Mailbox

This is one of our most popular units, ideal for large scale, high volume projects.

The Streetsure Horizontal Series Mailbox is designed for internal and external use, for wall application or freestanding installation and conforms to EN13724.

Dimensions: 260x110x380

Name tapes included as standard, engraved nameplates and flaps are optional. Each mailbox comes with a lock and two keys.

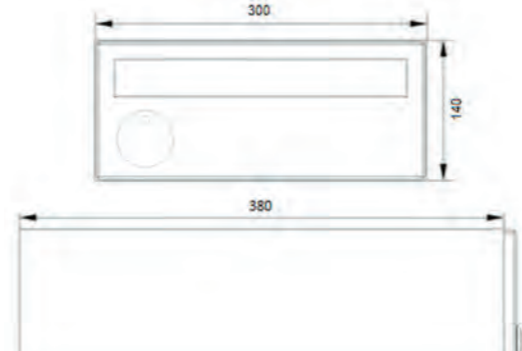


### Streetsure Vertical Series FR60 Mailbox

Suitable for Vertical A4 mail for front entry and retrieval with a 60 minute fire rating

This secure fire rated mailbox offers security to the end user and the recipients mail.

All boxes have a lockable door, engraved escutcheons, security lock and anti-theft lip. They are supplied with 2 numbered keys and an option for engraved numbering. Conforming to fire rating criteria specified by Warrington Fire in BS 476 part 6 & 7.



### Streetsure Horizontal Series FR120 Mailbox

Choosing fire rated does not mean you have to compromise on design - this is our most popular horizontal FR mailbox.

Conforming to fire rating criteria to BS EN 1363 - 1:2012.

Our Mailboxes have intumescent lining to both the flap and door, providing a fire rating (integral) of 120 minutes and also comes with engraved escutcheons.

This mailbox is supplied with 2 numbered keys and an option for engraved numbering.



Contact the team today for a bespoke design that suits your user's specific requirements.



The Bellsure architectural department hosts a team of doorset technical experts that can help with everything from selecting the correct certified doorset to scheduling your entire project.

This team and range of products have been selected to help ensure that your project receives compliant, certified doorsets that protect users and residents.

*“ We really enjoyed fitting your door set. The overall product was of high quality - we especially enjoyed the way the architraves are fitted, which seems to allow for slight variations in wall thickness. This will make my life easier when measuring up for future projects and it also made the installers job easier. ”*



### Our Certifications

Pre-qualified, quality assured, health & safety accredited for your peace of mind.





Bellsure have designed the innovative and adaptable Modulo Doorset solution to benefit all stakeholders in the construction industry, from architects through to installers.

- 1 Extensive stock of pre-machined components
- 2 The standards-based modular design ensures all configurable options are fully compliant
- 3 Standardised vision panels and ironmongery can be specified at time of order
- 4 Careful selection of colours, sizes and material specification along with our adaptable frame design means we can cover most fire doorset requirements from stock

The patented installation system allows up to 20mm of adjustment in each dimension ensuring perfectly-fitting doors in structural openings not perfectly formed.

By stocking fully machined doorframe components and door leaves (along with the relevant ironmongery), thousands of Q-Mark® certified doorset combinations can be picked, pre-hung, packed and dispatched within hours.

By investing in innovative modular design and relevant certification, this range has been specifically created to fill a gap in the market where construction, passive fire protection and FM contractors need FD30 fire doorsets in a few days. The concept is truly transforming the way we think about doors.

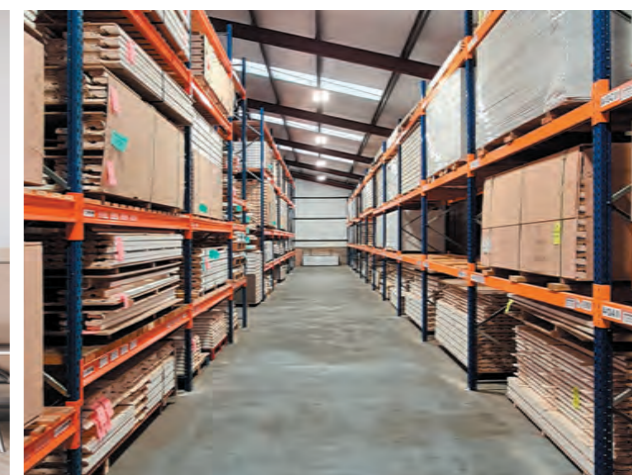
A full range of complementary non-fire-rated doors is also available from stock. For large projects where the substantial installation cost savings are a further benefit, a greatly expanded selection of finishes and designs is available.

Get in touch to discuss your next project or see Modulo Doorsets in action at our showroom on 03300 557 630.

## Transforming the way we think about doors

Q-Mark® Fire Doorsets available from stock

VISIT THE MODULO WEBSITE



Modulo Doorsets: Get it right, first time.







### What makes Modulo different?

#### CONCEALED FIX SYSTEM

Innovative Rapd fit brackets, for ease of installation

#### PRE-HUNG IN FRAME OPTION

Helping to overcome problems on-site, before they happen

#### PRE-FITTED IRONMONGERY

All non-protruding components factory fitted for safe transportation

#### PRE-MITRED ARCHITRAVE

No cutting required on site

#### ADAPTABLE FRAME

Giving you flexibility and tolerance in four dimensions

#### SIMPLE INSTALLATION

Compared to a conventional doorset

## Flexibility in 4D™

1

FLEXIBILITY ON STRUCTURAL  
OPENING WIDTH 32MM

2

FLEXIBILITY ON STRUCTURAL  
OPENING HEIGHT 20MM

3

FLEXIBILITY ON WALL  
THICKNESS 27MM

4

FLEXIBILITY ON HORIZONTAL &  
VERTICAL ANGLES 88-91°

Request a free  
sample pack on  
03300 557 630



REQUEST A FRAME SAMPLE PACK

## Fire doorsets in stock

**QUICK TO SPECIFY**  
Suitable for a range of projects including **commercial, accommodation and refurbishment**. Simple to select and specify, reducing design and planning costs.

**QUICK TO PRICE**  
Our unique **instant doorset selector** makes door procurement extra simple. Value for money in our competitively priced doorsets and **strategic savings** across your project.

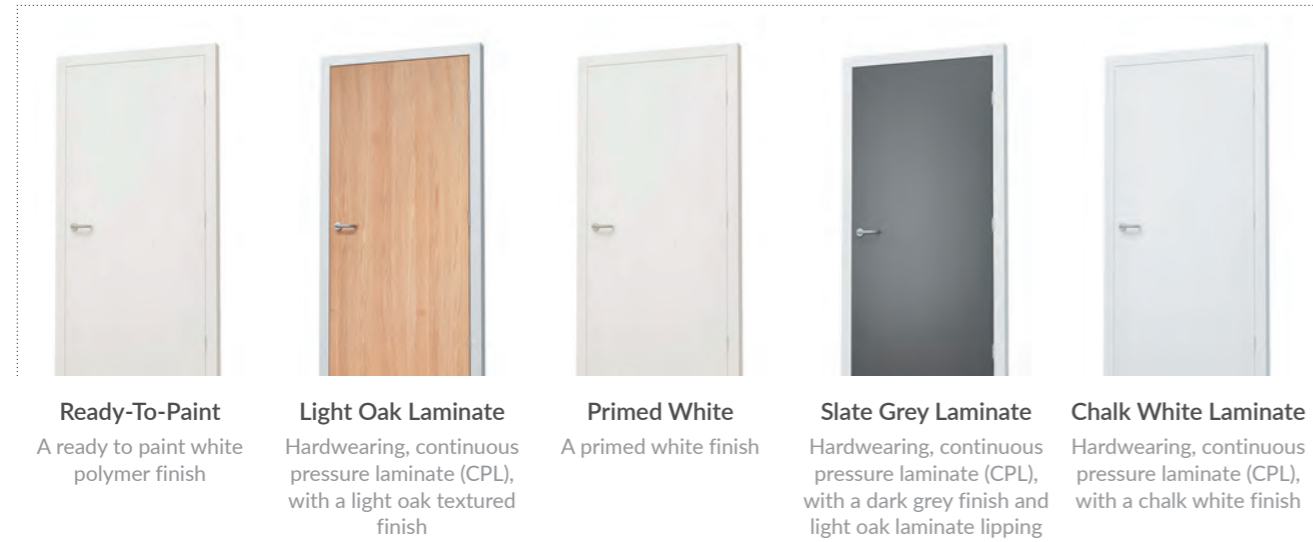
**QUICK TO PRODUCE**  
Offsite manufacturing precision. **Minimal lead times** from order placement to delivery, providing the industry with world-class lead times.

**QUICK TO INSTALL**  
Modulo gives you the flexibility to adjust with its impressive structural opening tolerance. **Less time on site, no snagging or call backs.**

We stock thousands of Q-Mark certified doorset combinations picked, pre-hung, packed and ready for dispatch within hours.

## Finishes

A variety of laminates and surfaces ready for coating.



**Ready-To-Paint**

A ready to paint white polymer finish

**Light Oak Laminate**

Hardwearing, continuous pressure laminate (CPL), with a light oak textured finish

**Primed White**

A primed white finish

**Slate Grey Laminate**

Hardwearing, continuous pressure laminate (CPL), with a dark grey finish and light oak laminate lipping

**Chalk White Laminate**

Hardwearing, continuous pressure laminate (CPL), with a chalk white finish

## Configurations



**Single**

Single internal timber doorset

**Double**

Double internal timber doorset

**Unequal Double**

Unequal double internal doorset, often referred to as 'leaf and a half'

Modulo doorsets are provided in either single, equal double, or unequal double configurations to cover a range of standard doorset scenarios.

## Vision Panels

\*Clear sight dimensions indicated



**Type 1**

170mm x 745mm glass

**Type 2**

Part M Compliant, 170mm x 1470mm glass

Non-Fire rated and FD30 options, provided in different styles dependent upon the door application selected. Hardwood bolection beading provided as standard.

## Key Components

Everything you need to configure a Modulo doorset

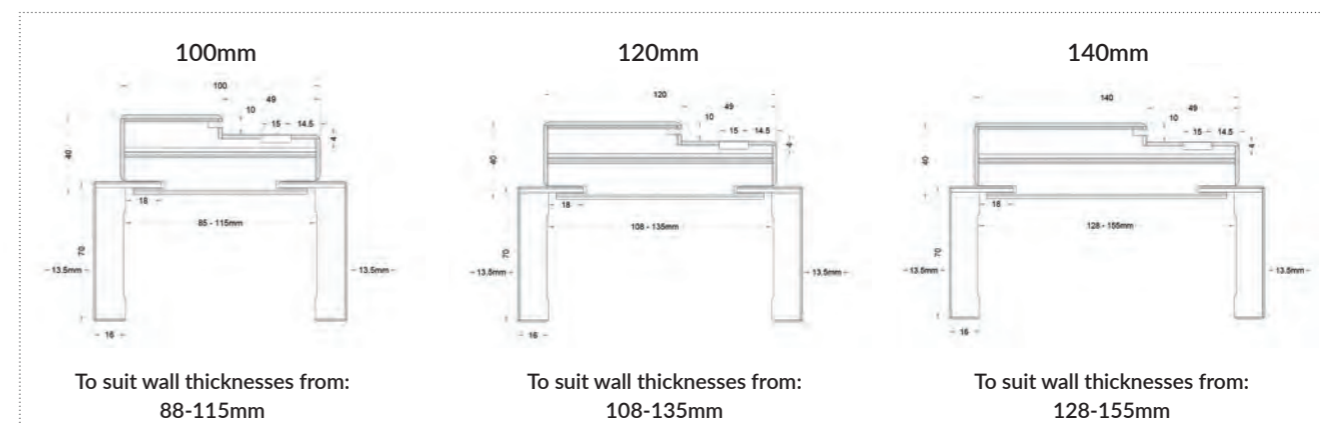


\*product codes in brackets / architrave provided pre-cut and mitred



## The Modulo Doorset Frame System

We stock three Modulo Doorset frame depths to suit most structural openings.



To suit wall thicknesses from: 88-115mm

To suit wall thicknesses from: 108-135mm

To suit wall thicknesses from: 128-155mm

Use our online Instant doorset Selector. [www.modulodoorsets.com](http://www.modulodoorsets.com) provides an easy-to-use tool for on-site doorset pricing



What you need.  
When you need it.

## The Bellsure Delivery Service

With sites across the UK, logistics and delivery is a priority focus for Bellsure.

Collection and delivery available from our warehouses based in Kent and Yeovil.





## Installation Services

Our professional team of installers travel nationally to deliver and install projects ranging from a simple cycle rack to complex shelters of a huge scale!



From the Highlands of Scotland to the Isle of Wight we have teams that travel the length of the UK installing projects. With the latest health & safety qualifications, and a real passion for their craft, our teams will look after everything from overseeing delivery of products to clearing away the last pieces of packaging.



*“ I would like to thank you for the works carried out on site, your operatives were particularly understanding and helpful during these difficult times on our sites. ”*





# Bellsure

EMAIL US

VISIT OUR WEBSITE

 **Bellsure**  
amenity

 **Bellsure**  
architectural