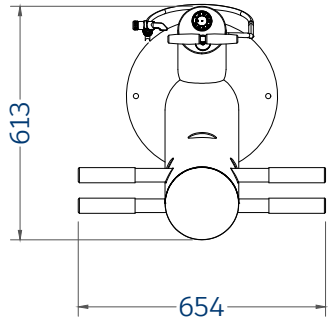


Bike Wash Station

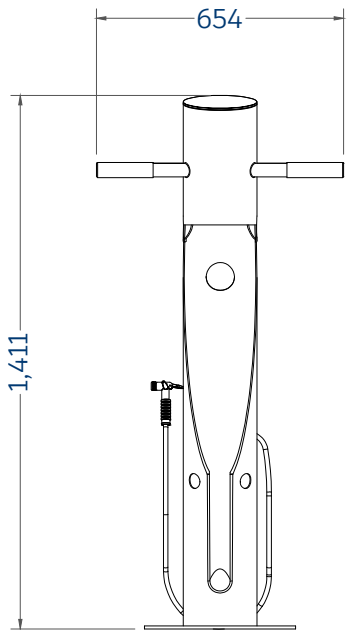
Front View



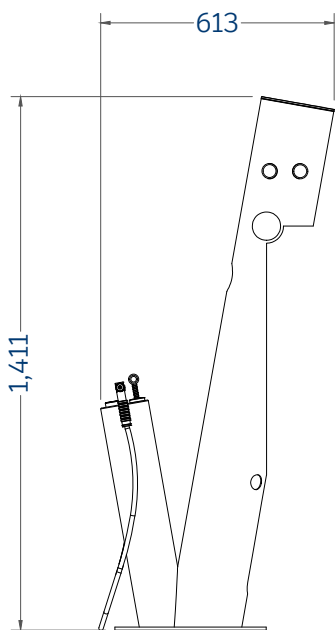
Perspective View



Front View



Side View



Technical information

- Materials:** Highly Durable Steel
- Standard Finish:** Galvanised
- Optional Finish:** Powder Coated to standard RAL Colour
- Dimensions:** 654mmW x 613mmD x 1411mmH
- Fixing Options:** Surface Mounted
- Capacity:** Includes 2x Bike Mounts
- Accessories:**
 - Bike Suspension Brackets
 - Water cord with handle
 - Stationary hand pump
 - 6No Brushes set
 - Soft Washing Brush
 - Wheel & Component Brush
 - Two Prong Brush
 - Detailing Brush
 - Small Parts Brush
 - Cassette Claw
- Optional Extras:** Anti-theft caps



Manufactured in the UK

PRODUCT NAME:

Bike Wash Station

SCALE: 1:20	SHEET SIZE: A3	DRAWN BY: AA
----------------	-------------------	-----------------

CHECKED BY: KD	DATE: 12/08/2022
----------------	------------------

PRODUCT NO. : SS-BW-G

- All dimensions are in mm unless otherwise stated
- Any dimensions scaled from this drawing are taken at the reader's own risk



01730 719 292
 info@bellsure.co.uk
 bellsure.co.uk