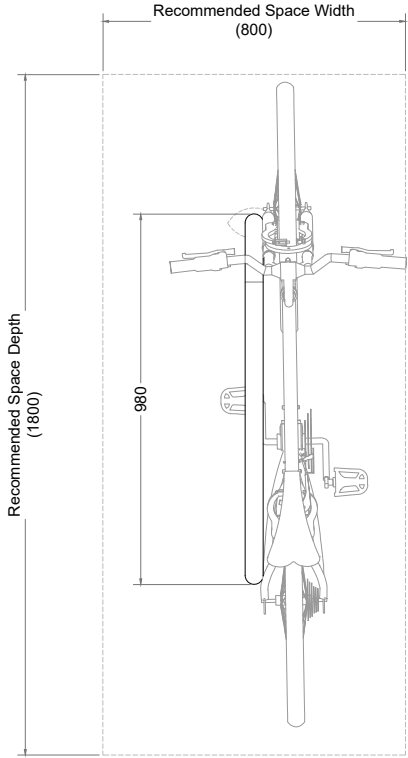


Citihoop Arc Root Fixed

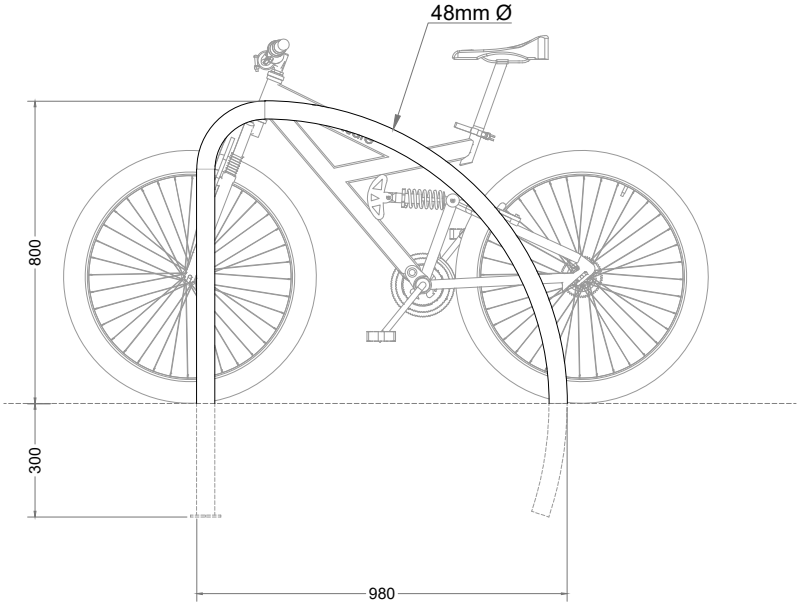
Top View



Perspective View



Side View



Technical information

- Materials:** Mild Steel
- Standard Finish:** Galvanised to BS EN ISO 1461:2009
- Optional Finishes:** Powder-coating in any standard RAL colour, Stainless Steel Grade 304 or 316
- Bike Capacity:** 2No. Bikes
- Fixing:** Root Fixed, 300mm below ground
Plated straight leg and curved tube
- Optional Extras:** Location identifiers, anti-tamper fixings, signage
- BREEAM:** Our products will assist with achieving BREEAM rating
- Product Warranty:** Two years
- Benefits:** Citihoop Arc adds an artistic flare to the conventional hoop style and provides a locking point for two bicycles - one on each side.



Manufactured in the UK

PRODUCT NAME:

Citihoop Arc Root Fixed

SCALE @ A3: 1:20	SHEET SIZE: A3	DRAWN BY: AA
CHECKED BY: KD	DATE: 22/07/2022	
PRODUCT NO. :		SS-CHARF

- All dimensions are in mm unless otherwise stated
- Any dimensions scaled from this drawing are taken at the reader's own risk



01730 719 292
info@bellsure.co.uk
bellsure.co.uk