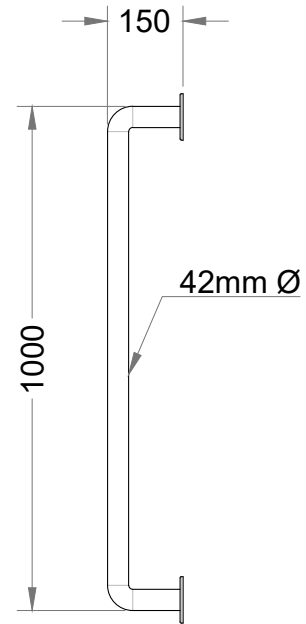


# Wall Mounted Locking Bar

## Top View

Scale 1:8



## Perspective View

Not to Scale



Galvanised Finish



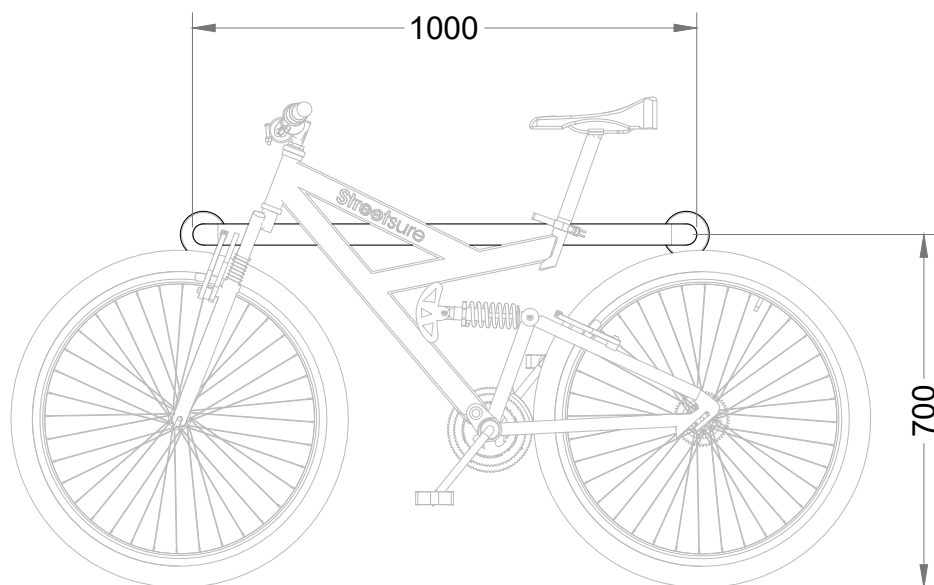
Powder Coated Finish



Stainless Steel Finish

## Side View

Scale 1:15



## Technical information

<b>Materials:</b>	Mild Steel
<b>Standard Finish:</b>	Galvanised
<b>Optional Finishes:</b>	Stainless Steel Grade 304 & 316 Powder Coated to Standard RAL Colour
<b>Standard Size:</b>	1000mm long (other sizes available to suit)
<b>Bike Capacity:</b>	1No. Bike
<b>Fixing:</b>	Wall Mounted
<b>BREEAM:</b>	Our products will assist with achieving BREEAM rating
<b>Product Warranty:</b>	Two years



Manufactured in the UK

PRODUCT NAME:

## Wall Mounted Locking Bar

SCALE: as indicated	SHEET SIZE: A3	DRAWN BY: AA
CHECKED BY: KD	DATE: 07/10/2022	

PRODUCT NO. :  
 SS-LB1-GV (Galvanised Finish)  
 SS-LB1-PC (Powder Coated Finish)  
 SS-LB1-SS04 (Stainless Steel Grade 304 Finish)  
 SS-LB1-SS16 (Stainless Steel Grade 316 Finish)

- All dimensions are in mm unless otherwise stated
- Any dimensions scaled from this drawing are taken at the reader's own risk